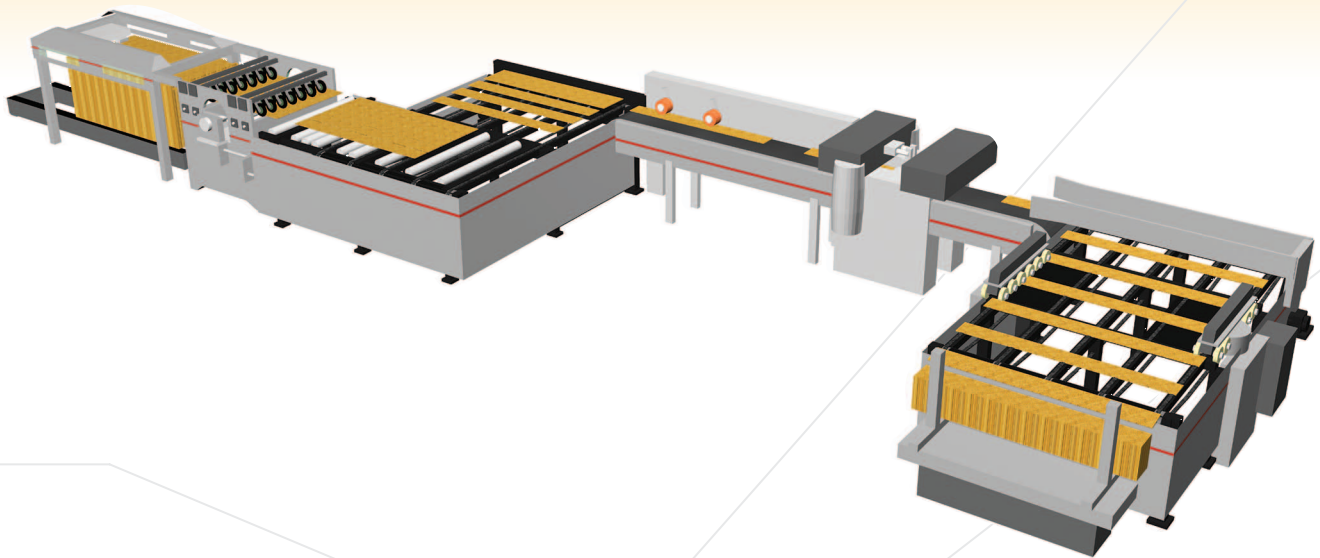


OSB WEB - PREPARATION LINE

For OSB Web I-Beams with Fingerjointed Flanges



FEATURING

- Automatic Panel Feeder System
- HRS-120 High Speed Panel Rip Saw
- Automatic Angular Feed Corner
- High Speed Strip Singulator
- Male / Male Side Shaper
- Male / Female End Shaper
- Automatic Downstacker

THE OSB PREPARATION LINE CAN BE CONFIGURED TO OFFER PANEL CROSS CUTTING PRIOR TO THE RIP SAW, OFF LINE FEED AND STORAGE FEATURES BETWEEN THE RIP SAW AND THE SHAPERS, AS WELL AS AUTOMATIC CONVEYING OF STACKED OSB WEBS TO THE I-BEAM ASSEMBLY MACHINE.

DOUCET
PROCESS ENGINEERING
DIVISION

340, 6th Street, Daveluyville, Quebec, Canada G0Z 1C0 • Phone: (819) 367-2633 • Fax: (819) 367-2100
Toll Free: 1-866-6RETURN (673-8876) • Email: info@doucetinc.com • www.doucetinc.com

VALUE-ADDED SOLUTIONS www.hoechsmann.com
FOR A COMPLEX WOOD INDUSTRY