

"OPTIMAT CH 03" the ideal machine for your cutting needs

- As your new panel saw.
- As an expansion of your existing cutting solutions.
- As the substitute for an old panel saw.
- It offers all the technical advantages of a horizontal panel saw.
- Exact cut to size in one cutting cycle.
- Exact measurements, squareness and perfect quality cut.
- Maximum working safety with pressure beam, security shield and security bar.
- Optimal position of the vacuum openings.



The controller



The OPTIMAT CH 03 is equipped with an easy to use electronic controller. Individual or repetitive cuts as well as cutting pattern programming are very simple to execute due to the easy use of the work surface. The user can store up to 99 programs with 99 different

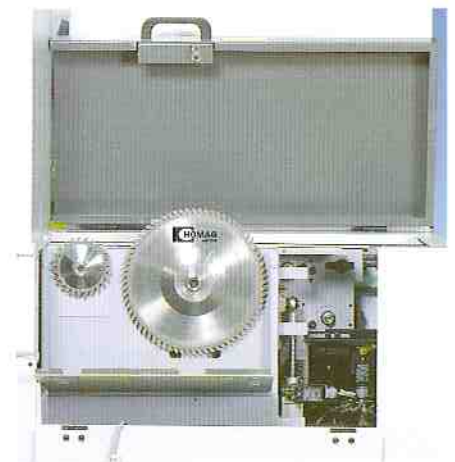
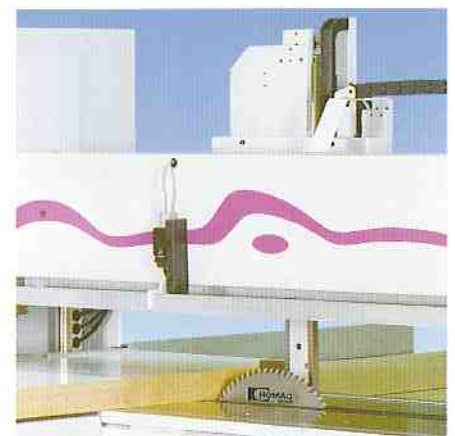
lines up to 99 repetitions each, with a maximum of 1.500 program lines. The user can connect a desktop PC to the controller of the machine via a serial cable and serial port at the controller (RS-232/RS-485), to send manually developed cutting patterns to the machine.



Optional equipment:

A variety of options round-up the versatility of the OPTIMAT CH 03.

- Laser Light.
- Miter Fence.
- Grooving Device.
- Air Tables.
- Spraying Device (for plastics).
- Main Saw Blade Speed Regulator.
- Extraction Cylinders. (standard in the machines with a cutting width of 1.250 mm)

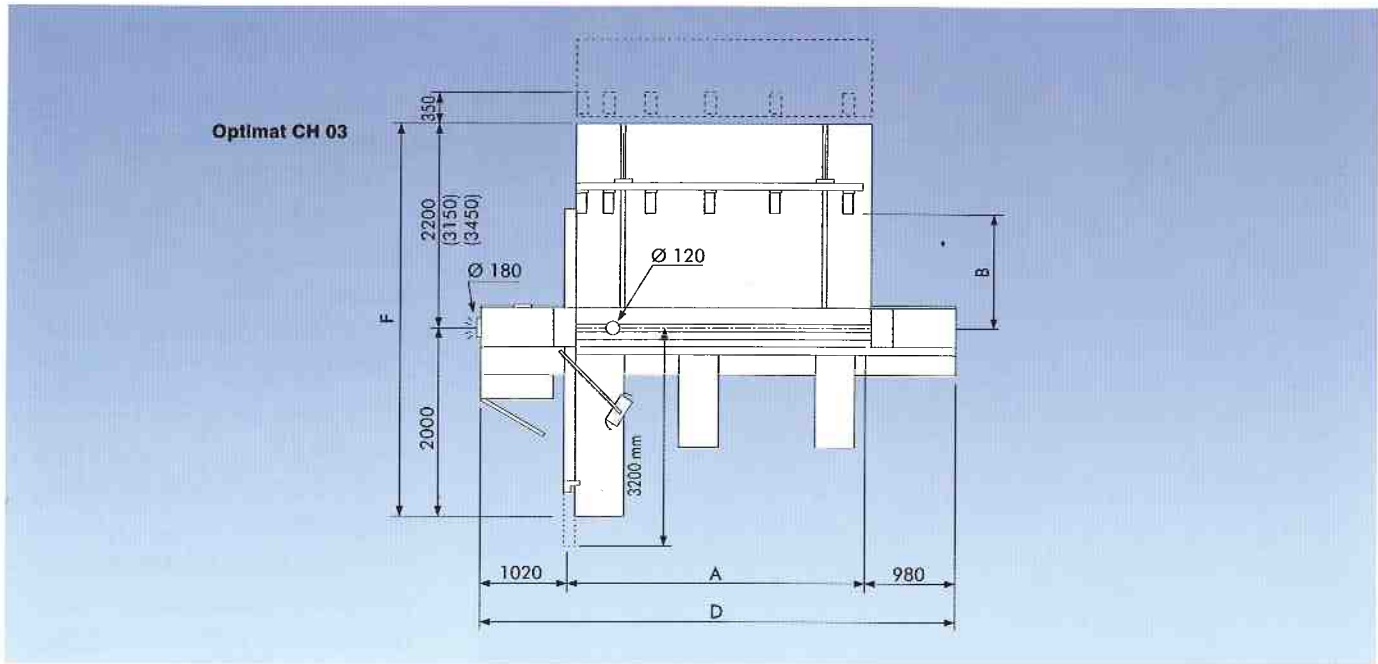


The advantages

- Heavy duty table bed construction to ensure an optimum cutting quality.
- A program fence with bilateral rack and pinion to ensure the parallelity of the cut.
- High precision electro-magnetic measuring system.
- Maintenance free saw carriage guides.
- Side Alignment Device to square pieces from 100 mm to 1250 mm.
- Special main and scoring saw guides.
- Complies with CE Safety Regulations and dust and noise emission standards.
- Fast cutting cycles thanks to the automatic limitation of the saw carriage travel.
- Electronically adjustable saw carriage speed.

The OPTIMAT CH 03 is the economical alternative for high quality panel sizing.

Technical Data



		OPTIMAT CH03/26/12/E	OPTIMAT CH03/26/22/E	OPTIMAT CH03/26/25/E	OPTIMAT CH03/32/12/E	OPTIMAT CH03/32/22/E	OPTIMAT CH03/32/25/E	OPTIMAT CH03/38/12/E	OPTIMAT CH03/38/22/E	OPTIMAT CH03/38/25/E
Machine dimensions										
Total width D:	mm	4.600	4.600	4.600	5.200	5.200	5.200	5.800	5.800	5.800
Total depth F:	mm	4.200	5.150	5.450	4.200	5.150	5.450	4.200	5.150	5.450
Working height:	mm	900	900	900	900	900	900	900	900	900
Gross weight:	Aprox. Kg	3.200	3.300	3.400	3.400	3.500	3.600	3.600	3.700	3.800
Working dimensions:										
Cutting length A:	max. mm	2.600	2.600	2.600	3.200	3.200	3.200	3.800	3.800	3.800
Cutting width B:	max. mm	1.200	2.200	2.500	1.200	2.200	2.500	1.200	2.200	2.500
Cutting height:	max. mm	50	50	50	50	50	50	50	50	50
Connections										
Operating voltage/Frequency:	V/Hz	380/50	380/50	380/50	380/50	380/50	380/50	380/50	380/50	380/50
Connected load:	kW	7.0	7.0	7.0	7.0	7.0	7.0	7.0	7.0	7.0
Total extraction efficiency at 25 m/sec:	m3/h	3.200	3.200	3.200	3.200	3.200	3.200	3.200	3.200	3.200
Air supply pressure:	Bar	6-7	6-7	6-7	6-7	6-7	6-7	6-7	6-7	6-7
Air connection:		R 1/2"	R 1/2"	R 1/2"	R 1/2"	R 1/2"	R 1/2"	R 1/2"	R 1/2"	R 1/2"
Other information:										
Main saw motor:	kW/Hz	5.5/50	5.5/50	5.5/50	5.5/50	5.5/50	5.5/50	5.5/50	5.5/50	5.5/50
Main saw blade speed:	r.p.m.	5.100	5.100	5.100	5.100	5.100	5.100	5.100	5.100	5.100
Main saw blade sizes:	mm	300*75*4.4	300*75*4.4	300*75*4.4	300*75*4.4	300*75*4.4	300*75*4.4	300*75*4.4	300*75*4.4	300*75*4.4
Scoring saw motor:	kW/Hz	0.55/50	0.55/50	0.55/50	0.55/50	0.55/50	0.55/50	0.55/50	0.55/50	0.55/50
Scoring saw blade speed:	r.p.m.	5.500	5.500	5.500	5.500	5.500	5.500	5.500	5.500	5.500
Scoring saw blade sizes:	mm	150*45*4.3-5.3	150*45*4.3-5.3	150*45*4.3-5.3	150*45*4.3-5.3	150*45*4.3-5.3	150*45*4.3-5.3	150*45*4.3-5.3	150*45*4.3-5.3	150*45*4.3-5.3
Saw carriage advance speed:	m/min	6-32	6-32	6-32	6-32	6-32	6-32	6-32	6-32	6-32
Program fence speed:	m/min	12	12	12	12	12	12	12	12	12

Sales partner:



Homag Sawtech, S.A.
 Pol. Ind. Mas Dorca
 E-08480 L'Ametlla del Vallès
 (Barcelona) Spain
 Tel. 00-34-93-843 17 00
 Fax. 00-34-93-843 17 07
 e-mail: info@homag-sawtech.com
 www.homag-sawtech.com