

This brochure was handed out by:



**Choose the Original  
Choose Success!**

For the Success of Original Technology  
A VDMA Campaign

Printed 03/08. Subject to technical changes and errors.  
Illustrations may show extras not included in the basic price.

## Ready for Pressure-Sensitive Material



A company of the HOMAG Group



**HOLZMA Plattenaufteiltechnik GmbH**  
Holzmastrasse 3  
75365 CALW-HOLZBRONN  
GERMANY  
Tel.: +49 7053 69-0  
Fax: +49 7053 6174  
E-Mail: [info@holzma.de](mailto:info@holzma.de)  
Internet: [www.holzma.de](http://www.holzma.de)

**HOLZMA S.A.**  
Unipersonal  
Pol. Ind. Mas Dorca  
08480 L'AMETLLA DEL VALLES  
(BARCELONA) SPAIN  
Tel.: +34 93 8431700  
Fax: +34 93 8431707  
E-Mail: [info@holzma.es](mailto:info@holzma.es)

**HOLZMA U.S.**  
Division of Stiles Machinery Inc.  
1200 Tulip Drive  
GASTONIA, NC 28052  
USA  
Tel.: +1 704 861-8239  
Fax: +1 704 867-4140  
E-Mail: [holzma@stilesmachinery.com](mailto:holzma@stilesmachinery.com)

**Setting Standards: Solutions for Pressure-Sensitive Materials**

# Everything under Control – for Pressure-Sensitive Material

Pressure-sensitive material is playing an increasingly bigger role in panel processing. With your HOLZMA you are well prepared for this trend – thanks to innovative optional extras. Technology that pays off.



## Contents

Pressure-Sensitive Material	4
HOLZMA Solutions:	
• Pressure Beam and Clamps	6
• Machine Control	8
• Model-Dependent Technologies	10

## Pressure-Sensitive Materials in Focus

Pressure-sensitive material poses special challenges in panel processing. The reason: the holding force and the contact pressure exerted by the pressure beam and the clamps are easily too high for sensitive panels.



### Lightweight Construction Boards / Honeycomb Boards

These materials are used mainly in the furniture industry. The most common types are paper or aluminium honeycomb sandwiched between sheets of chipboard, cardboard, aluminium or melamine.

### Rigid Plastic Foamed Boards

These foamed boards are used for the most part as insulation and are made, for example, of polyurethane or polystyrene.

### Wood Fibreboards

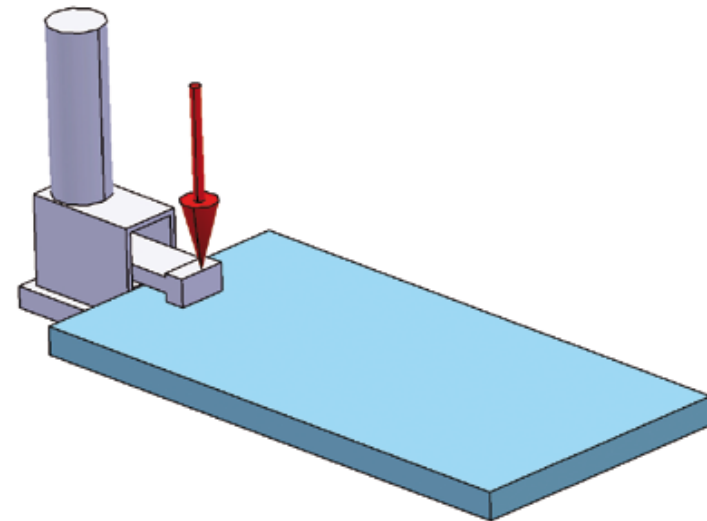
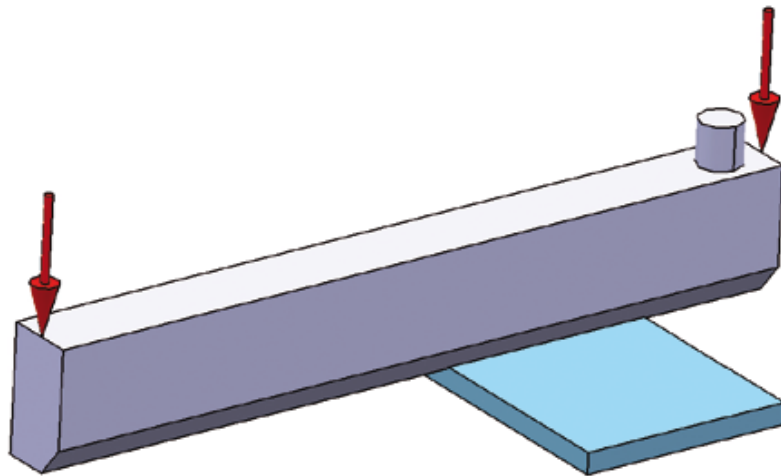
Wood fibreboards used for thermal insulation are characterised by their very low density and are correspondingly pressure-sensitive.

### Composite Boards

This group includes all boards that are made up of layers of different materials. For example hard foam composite boards with a core of hard foam and facings made of paper, aluminium or plastic material.

## Success is a Question of Adjustment

What restrains a 200 kg heavy pressure beam? How do you control the force of the clamps? And above all, how can all these precision adjustments be controlled? HOLZMA has the answer: optional extras for material-specific machine adjustments – patent pending and presented for the first time on a selected model of the 3 Series.



### From Pressure Beam to Floating Beam

(currently available for the profiline HPP 380)

It may sound simple but technically it's a small masterpiece: with the new solution the pressure beam is still lowered pneumatically, but now pneumatically generated counter pressure compensates the load at the right moment. What is so

special about this is that even the high dead weight of the pressure beam is virtually neutralised. That way even a 200 kg heavy pressure beam brings just 30 kg (approx. 300 N) to bear on the material – irrespective of the cutting length!

### Clamps with Infinitely Variable Pressure Regulation

(currently available for the profiline HPP 380)

These clamps, designed especially for pressure-sensitive material, work on the same principle as the pressure beam. Their pneumatically generated clamping force is precisely controlled by similarly

generated counter pressure. As a result, the minimum clamping force can be reduced to just 50 N, which corresponds to a weight of only 5 kg.

## Intelligent Control of Innovative Technology

Anyone wanting precision control over state-of-the-art technology needs an intelligent machine controller. That's why HOLZMA offers you its own proven control software CADmatic: now with enhanced functions to regulate the pressure of the clamps and pressure beam – for the profiline HPP 380 as described on the previous double page. So that you can process pressure-sensitive material easily, quickly and gently.



### **Enhanced Pressure Regulation with Material-Dependent Parameters** (currently available for the profiline HPP 380)

Anyone wanting greater ease of use for the new functions will go for the software option “material-dependent parameters” – now with additional settings for clamps and pressure beam. The advantage: once you have defined the parameters for a

particular material you can save the data under the material name. Next time you only need to retrieve the stored data via the CADmatic and your HOLZMA will be adjusted completely automatically.

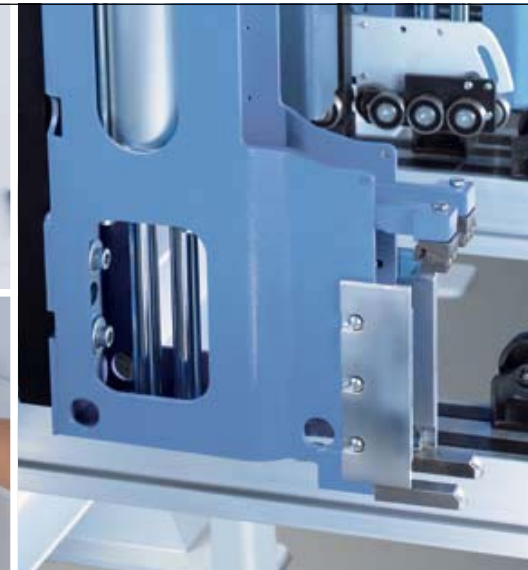
## Naturally Pressure-Sensitive

Depending on series and model, your HOLZMA comes ready-equipped with further technologies for cutting pressure-sensitive material.

### Program-Activated Clamps

(e.g. standard for the proflin models of the 3 Series)

HOLZMA developed its program-activated clamps to deal with sensitive material, for example overhanging veneers. When this option is activated, clamps remain open where necessary and do not damage the material.



### Central Side Aligner

(standard for all HOLZMA panel-sizing saws)

Not new, but well-proven – the HOLZMA central side aligner. Integrated directly in the saw carriage, it operates over the entire cutting length with continuously

variable contact pressure. Allowing even thin boards, laminates and sensitive materials to be cut perfectly.

### Manual Pressure Regulation

(pictures 1 and 2 show HPP 250 solution)

This allows you to adjust the pressure for the clamps and pressure beam by means of two manual regulators to suit your particular panel material. The simple solution for handling pressure-sensitive material. The availability of the manual pressure regulation feature depends on the respec-

tive series and the model. Many HOLZMA saws come ready-equipped with a similar solution as standard. On some models it is also optionally possible to adjust the pressure of the clamps and pressure beam via the CADmatic control. This requires corresponding supplementary equipment.