

The image features a red banner at the top. Below it, a red rectangular box contains the word "SERRA" in white, bold, sans-serif capital letters. To the right of this box, the text "– offers unique engineering" is written in red, followed by ".mobile .stationary .worldwide" on the next line. The background of the entire image is a close-up, high-speed photograph of a wood mill. A large, dark, metallic cutting tool is shown in motion, creating a blurred trail as it cuts through a piece of wood. The wood's surface is rough and textured, with visible grain and some discoloration. The overall scene conveys a sense of industrial precision and engineering.

SERRA

– offers unique engineering
.mobile .stationary .worldwide

Passion for wood

Through our love of wood in 1990 we established the successful SERRA brand (In Latin language SERRA means “saw”). For over 25 years our family company has been well known for our high quality sawmills “Made in Germany”.

Today the unique SERRA technology is successfully being used in 80 countries worldwide. From a small mobile sawmill up to a complete industrial sawmilling line. We offer for every need and any budget in different climate zones customized solutions. The “Top 100 innovation award” demonstrates impressively our long lasting innovative power.

We are proud of our world-class personal service. Further woodworking machines complete our product range.

The passion for wood accompanies us everywhere: The buildings we work in are made out of wood we heat with wood and process wood. We have the knowledge and understanding of this valuable raw material which has given us the right basis for building excellent machines.

We look forward to hearing from you.



Yours Johann Fritz
CEO SERRA Maschinenbau GmbH



Content

- Sawmills S. 6
- Resaws S. 24
- Additional and expansion machines S. 32
- Forest machinery and equipment S. 40
- Project planning S. 46
- Service S. 48
- Technical data S. 50



SAWMILLS



RESAWS



ADDITIONAL AND EXPANSION MACHINES



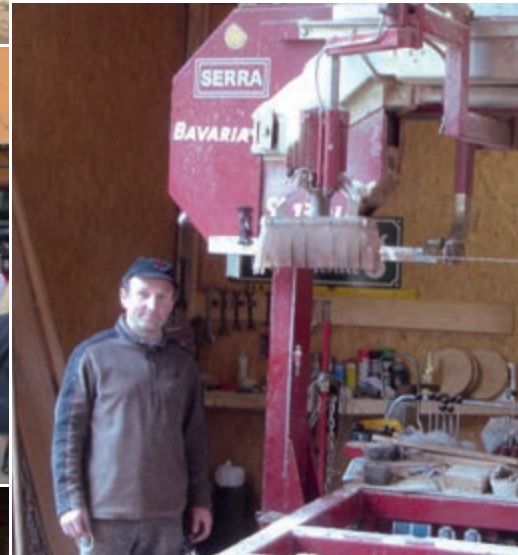
FOREST MACHINERY AND EQUIPMENT

SERRA – offers unique engineering

.mobile .stationary .worldwide



HAPPY SAWYERS



SERRA – offers unique engineering

.mobile .stationary .worldwide

Powerful sawmills



Horizontal band saw mills are the core competence of SERRA. Four different size classes are available. Allowing you to mill logs with a maximum diameter of 90, 110, 135 or even 160 centimetres, mobile and stationary. SERRA's mobile sawmills in various weight and size classes are mostly used for custom cutting. Long hauls for logs can be prevented. For independence from the power grid, we also offer individual models with diesel or petrol engine, or you can work with a generator (Page 39). Furthermore: hot dipped galvanized frames (except SL) at mobile sawmills, high-quality stainless steel log supporters in each model avoid blue coloration while cutting acidic wood, two possible feeding systems (hydraulic or electric) and a angled cut, which facilitates the cutting into the log and increases the speed (except FE50).



SERRA – offers unique engineering

.mobile .stationary .worldwide

XE 160 / XE 135

Log band sawmill with extremely robust design



XE 160 / XE 135

- For heavy logs with up to 135 / 160 cm in diameter
- Extremely robust and heavy built
- Variable saw head with a lot of space above the saw blade
- Convincing additional equipment
- Comfortable access to sawblade with hydraulic opening of the cover
- Optimized for project planning
- Various optional operator stand solutions (Page 22)



Technical data

	XE 160	XE 135	Dimension of sawblades	XE 160	XE 135
Log length*	from 0,7 m – 6 m	from 0,7 m – 6 m			
Log diameter	163 x 207 cm	133 x 160 cm	Width	150 mm	120 or 140 mm
Space above the sawblade	69 cm	50 cm	Thickness	1,3 mm	1,1 mm or 1,2 mm
Space below the sawblade	137 cm	111 cm	Length	7.110 to 7.605 mm	5.520 to 6.030 mm
Width of cut	140 cm	100 cm			
Performance / 8h**	36 fm	33 fm			
Main engine	32 kW electric 45 kW electric	18,5 kW electric 22,0 kW electric 32,0 kW electric			

* longer on request

** Dependent on diameter of log, board dimensions and number of helper

XE 160 / XE 135



SERRA – offers unique engineering

.mobile .stationary .worldwide

XT 135

Mobile saw mill with high performance



XT 135

- For heavy logs with up to 135 cm in diameter
- Big cutting length because of hydraulically foldable extension
- Variable saw head with a lot of space above the saw blade
- Comfortable access to sawblade with hydraulic opening of the cover
- Comfortable, lockable operators stand with protective roof



Technical data

XT 135

Log length*	from 0,7 m - 10 m*
Log diameter	133 x 160 cm
Space above the sawblade	50 cm
Space below the sawblade	111 cm
Width of cut	100 cm
Performance / 8h**	33 fm
Main engine	18,5 kW electric 22 kW electric

Dimension of sawblades

XT 135

Width	120 or 140 mm
Thickness	1,1 or 1,2 mm
Length	5.520 to 6.030 mm

* longer on request

** Dependent on diameter of log, board dimensions and number of helper

XT 135



SERRA – offers unique engineering

.mobile .stationary .worldwide

SL 130i / SL 110i

Designed by professionals for professionals



SL 130i / SL 110i

- For heavy logs with up to 110 / 130 cm in diameter
- Award winning, proven technology for many years
- Variable saw head with a lot of space above the saw blade
- Two possible feeding systems: hydraulic or electric
- Comfortable V-Cockpit



Technical data

	SL 130i	SL 110i	Dimension of sawblades	SL 130i	SL 110i
Log length*	0,7 m – 16 m mobile	0,7 m – 16 m mobile	Width	100 or 120 mm	100 or 120 mm
Log diameter	130 x 152 cm	110 x 140 cm	Thickness	1,1 mm	1,1 mm
Space above the sawblade	50 cm	50 cm	Length	5.530 to 6.030 mm	5.320 to 5.705 mm
Space below the sawblade	110 cm	87 cm			
Width of cut	100 cm	82 cm			
Performance / 8h**	33 fm	33 fm			
Main engine	18,5 kW electric 22 kW electric	18,5 kW electric 22 kW electric			

* longer on request

** Dependent on diameter of log, board dimensions and number of helper

SL 130i / SL 110i



SERRA – offers unique engineering

.mobile .stationary .worldwide

ME 110 / MD 110

Modern mobile sawmill with a desire for freedom



ME 110 / MD 110

- For heavy logs with up to 110 cm in diameter
- Two main drives options are available: Electric or 1.5 liter water-cooled 4-cylinder turbo-diesel engine from Kubota.
- Convincing additional equipment
- Innovative base frame concept
- Easy to operate



Technical data

ME 110 / MD 110

Log length*	0,7 m – 12 m mobile
Log diameter	106 x 138 cm
Space above the sawblade	51 cm
Space below the sawblade	87 cm
Width of cut	82 cm
Performance / 8h**	28 fm
Main engine	18,5 kW electric 22 kW electric 33 kW (44 hp) Diesel

Dimension of sawblades

Width	100 or 120 mm
Thickness	1,1 mm
Length	5.705 mm

* longer on request

** Dependent on diameter of log, board dimensions and number of helper

ME 110 / MD 110



SERRA – offers unique engineering

.mobile .stationary .worldwide

KE 90 / KB 90

Entry model in the wide saw blade technology



KE 90 / KB 90

- For heavy logs with up to 90 cm in diameter
- Two main drives options are available: Electric or air cooled V2 petrol engine from Vanguard.
- Convincing additional equipment
- Innovative base frame concept
- Easy to operate
- Manual sawblade tensioning system



Technical data

Log length*	0,7 to 10 m mobile
Log diameter	88 x 127 cm
Space above the sawblade	42 cm
Space below the sawblade	85 cm
Width of cut	75 cm
Performance / 8h**	18 fm
Main engine	18,5 kW electric 26 kW (35 hp) petrol

Dimension of sawblades

Width	80 mm
Thickness	1,0 mm
Length	5.110 mm

* longer on request

** Dependent on diameter of log, board dimensions and number of helper

KE 90 / KB 90



SERRA – offers unique engineering

.mobile .stationary .worldwide

FE 50

A small sawmill for beginners



FE 50

- For logs with up to 50 cm in diameter
- 4 kW power engine with 16 A, CEE connector
- Operator is not located on the side of the emerging sawdust
- Innovative sawblade concept with metal band sawblades of bimetal. No sharpening. No tooth setting.
- Easy to operate
- Extendable with 2.25 m long extensions



Technical data

Log length*	from 0,6 m – 3,6 m
Log diameter	40 x 68 cm
Space above the sawblade	20 cm
Space below the sawblade	48 cm
Width of cut	40 cm
Performance / 8h**	5 cbm
Main engine	4 kW electric

Dimension of sawblades

Width	35 mm
Thickness	0,9 mm
Length	3.115 mm

* longer on request

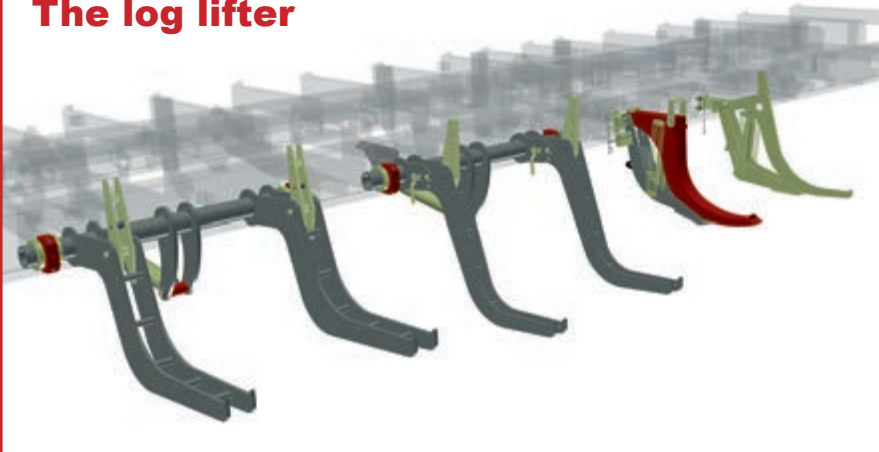
** Dependent on diameter of log, board dimensions and number of helper

FE 50



Hydraulic equipment modules and options

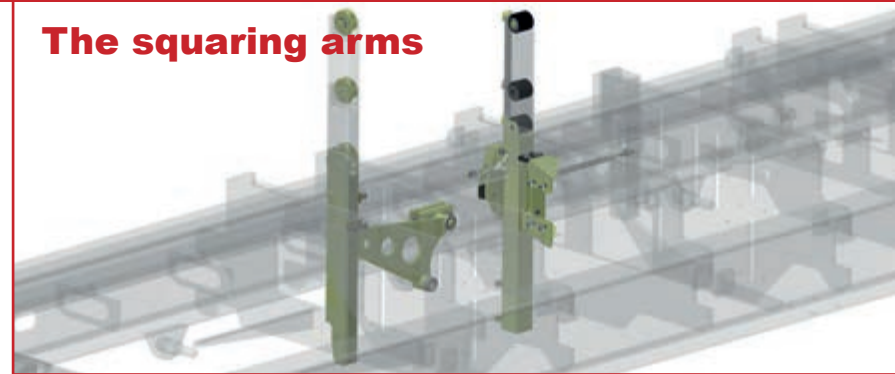
The log lifter



The log lifter

- two different variants: At heavy machines, the log lifters are supported by the frame. At the lighter machines the log lifters are supported on the ground, can be placed according to the length of the logs and in order to transport the mill, you just lift and fold them up.
- depending on the model, logs with a weight between 3.2 t and 10 t can be lifted up to the sawing bed.

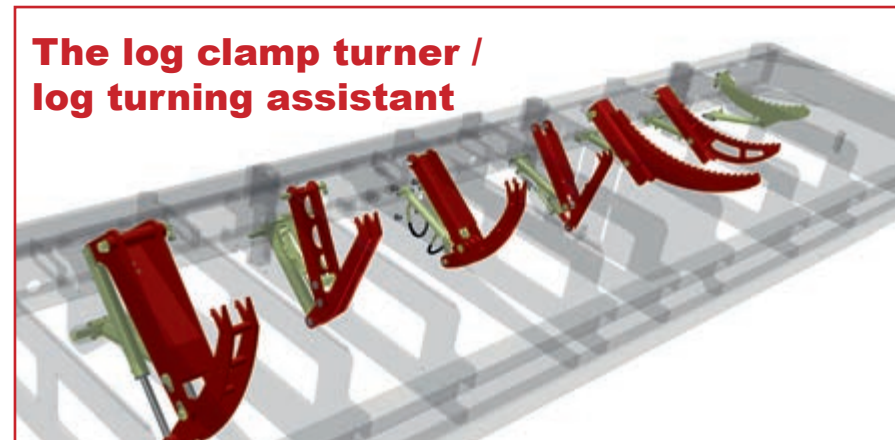
The squaring arms



The squaring arms

- prevent the log from rolling off while loading and turning.
- are required for 90 degrees angled lumber. The angle is adjustable.
- the squaring arms surveillance of the PLC avoids any unintentional damage.

The log clamp turner / log turning assistant



The log clamp turner / log turning assistant

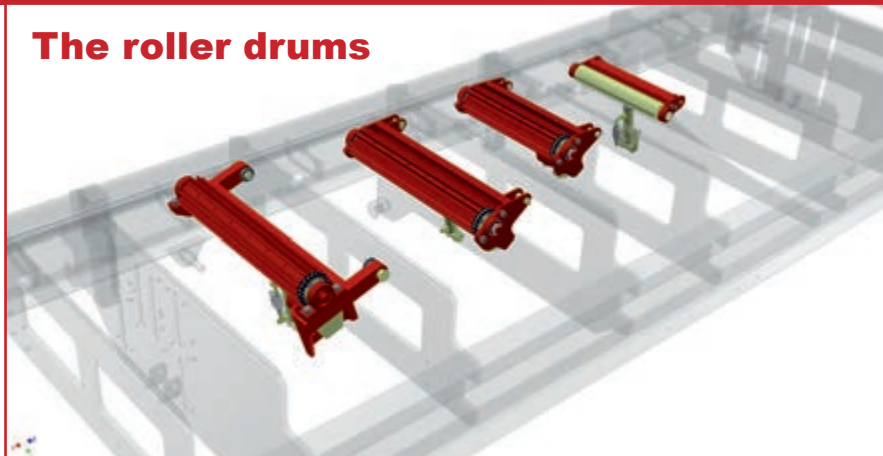
- turns and clamps the log without damaging it.
- particularly flexible also at special cuts like wedges, multiple sided beams, etc.
- useful in combination with the log turning assistant, which prevents a possible roll back of the log while repositioning the log clamp turner.

Modules / Equipment

Different hydraulic tools available for all models in order to optimize the handling of logs. Compile your machine individually or choose from one of our hydraulic packages.

You have the choice. Of course we can assist you in what components you need for your needs. We can discuss not only the required number of tools, rather also the position in the frame they can be mounted. In doing this we make your sawmill more user friendly which in turn will increase your productivity and success.

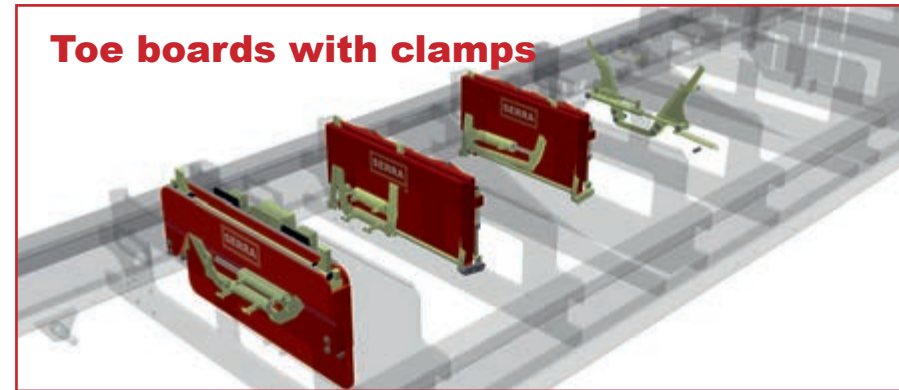
On this double page we will show you a selection of possible hydraulic modules.



The roller drums

The roller drums

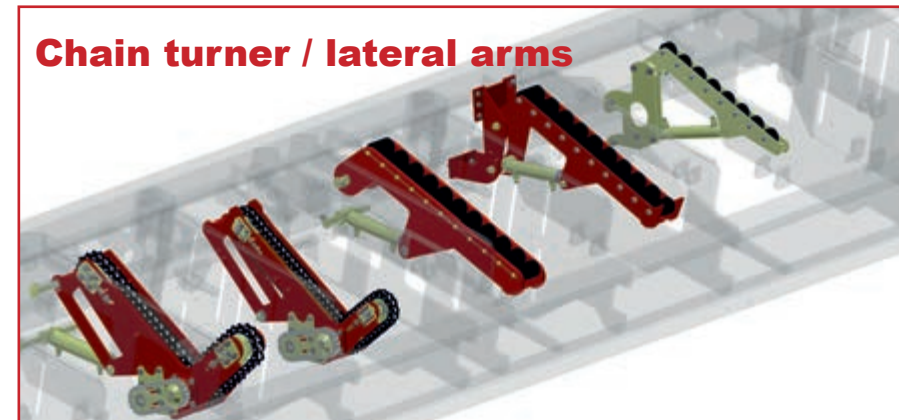
- moves the log back and forward to the right position on the sawing table.
- can move the milled lumber to the end of the mill.
- by using spiral rollers the lumber can be moved laterally
- not powered, lower priced variant possible



Toe boards with clamps

Toe boards with clamps

- levels the log in a way that its centre is parallel to the sawing bed.
- clamp the log with their height adjustable clamps.
- pulls the log down against the log supporters.
- lower priced variant: clamps without leveling function of the log

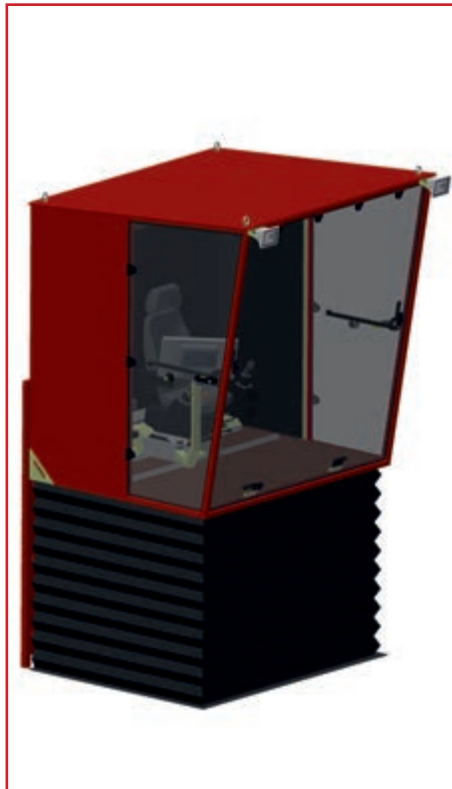


Chain turner / lateral arms

Chain turner / lateral arms

- The chain turner and lateral arms move the milled lumber laterally on to the lateral arms beside the mill.
- Chain turners allow fast turning of small and medium sized logs.

Operators stands



Luxury cabin ProComfort Plus

- spacious, insulated and noise proofed
- height adjustable up to max. 155 cm
- comfort seat can be moved side-ways +/- 50 cm
- two glass doors



Multifunctional cabin mobile

- insulated and noise proofed
- hydraulically foldable
- comfort seat
- glass door



V-Cockpit mobile Maxi

- controls arranged in an ergonomic way
- four rows of hydraulic levers for max. equipment
- combinable with big mobile cabin



V-Cockpit stationary

- decoupled from the machine
- comfort seat
- high adjustable, if required



Stand-alone version

- decoupled from the machine
- ideal for building your own cabin around it



Big mobile cabin

- safety glass
- foldable roof
- lockable operators stand



Foldable cabin mobile

- completely folded forward onto the sawing bed for transport.
- light-weight aluminum construction

Networks

SERRA PROCOMFORT PLUS

Big full HD display with 21.5"

- touch control with all current cutting programs
- two joysticks with user defined function layout
- fire button for quick change of the function layouts
- batch-capability, that means programming of recurring functional processes. (e.g. unloading) starts by pressing the button.
- speedometer (Cutting speed)
- Squaring arms surveillance, pedal return of the sawhead and fully automatic milling possible



SERRA COMFORT PLUS



TFT Display

- touch control with all current cutting programs
- one joystick with all functions required while milling and with AVS
- Squaring arms surveillance, pedal return of the sawhead and fully automatic milling possible
- removable for transport

SERRA COMFORT



TFT Display

- same as SERRA Comfort Plus, but without joystick

SERRA CLASSIC



LCD display with background lighting

- keyboard: foil
- cutting program single board
- cutting program stack
- Cutting scheme capable
- working hour counter

SERRA BASIC



7 segment display

- keyboard: foil
- cutting program single board
- cutting program stack

SERRA – offers unique engineering

.mobile .stationary .worldwide

Sawing technology for recutting



With a SERRA sawmill, you can produce all needed products like edged boards, lathes, cants and beams with a single machine. Business is growing after a little while? Extend your technology with a resaw!

“ A resaw does not replace your main mill, but it will significantly relieve it

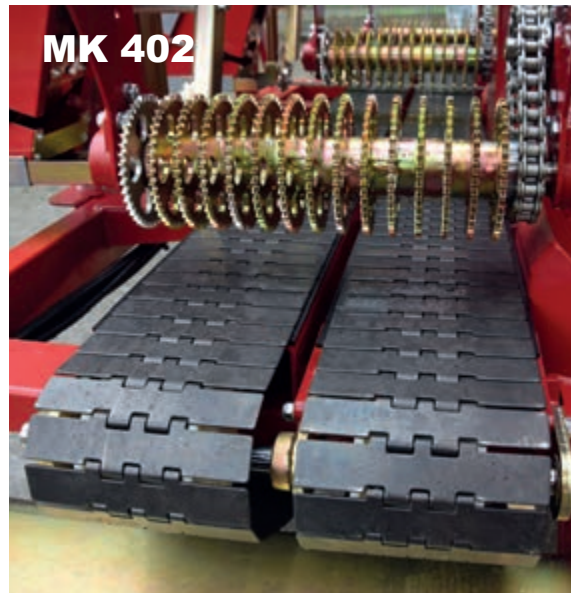
With a powerful resaw from SERRA the output increases enormously. Boards can be edged by our Duett/Quartett dual-trimmers, for example. If you are producing board material or even slats, you may be interested in our multi-head band resaws and if there is a need of really very high production have a look at the multirip resaw CS 600 with main engines up to 90 kW.



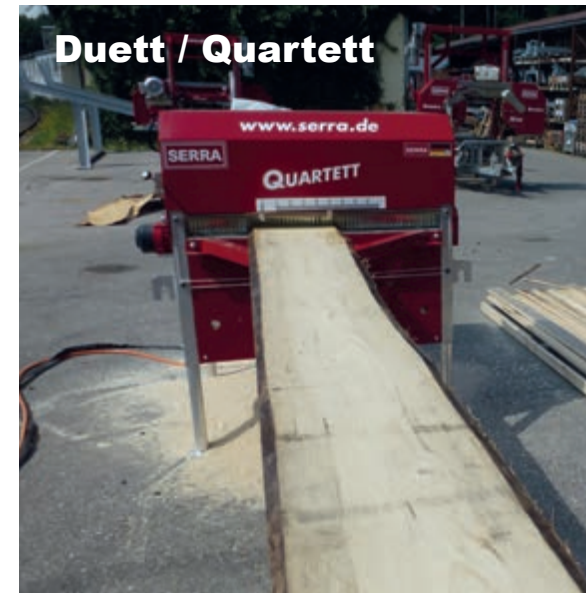
CS 600



MK 402



Duett / Quartett



SERRA – offers unique engineering

.mobile .stationary .worldwide

CS 600

Innovative multirip resaw with high performance



CS 600

High performance multirip resaw with innovative circular saw technology. The heavy built design consists of two 15 mm thick lasered and mill-cutted steel plates. Between them, the whole machine is built up. Chain and V-belt drives are mounted externally.

The speed of two separately controlled feeding systems is adjustable via a frequency converter. The height is adapted hydraulically to the wood. Spacious opening to the hardened saw shaft for easy saw blade changing. Unlike most other multirip resaws on the market the saw shaft is supported only twice. Therefore very precise and quiet. Central lubrication!



Technical data

Pass through width max.	600 mm
Pass through height	160 mm
Cutting length min.	800 mm
Saw shaft	hardened, located under the wood, turns against feed direction
Feeding system	2 motors, 7 profiled rollers

Diameter of circular saw blades	350 – 500 mm
Main engine	22 – 90 kW
Turns of saw shaft	1.500 U/min
Feeding speed (adjustable)	10 – 35 m/min

Working height	850 mm
Width	1.600 mm
Length	3.200 mm
Height	1.600 mm
Weight (max.)	3.300 kg

CS 600



www.serra.de

SERRA – offers unique engineering

.mobile .stationary .worldwide

MK 402 bis MK 405

Resaw with the thinnest cutting kerf



MK 402 bis MK 405

Depending on the number of desired sawheads

The multi-head sawmill from SERRA is used as a resaw for boards and slats.

“ Energy efficient - productiv – resilient

The benefit against a circular resaw is, that the cutting kerf is much thinner. Because of that less precious wood will be transformed into sawdust, furthermore the power requirement is lower. In contrast to the main sawmill not the sawhead is moving back and forth along the log. Instead of that, the sawhead is static and the lumber gets pushed through.



Technical data

Log length	1,2 m to – ∞
Width of cut	up to 40 cm
Height of cut	7 to 400 mm
Performance per sawhead	11 kW
Feeding speed	0 – 35 m/min

Dimension of sawblades

Width	80 mm
Thickness	1,0 mm
Length	5.100 mm

MK 402



SERRA – offers unique engineering

.mobile .stationary .worldwide

DUETT / QUARTETT

Proven edgers, mobile or stationary



DUETT / QUARTETT

A resaw with two (Duett) or with four (Quartett) circular saw blades can be the perfect addition for your sawmill. Simple but strongly built. Available as a mobile or stationary machine. A corrosion resistant construction made of aluminium and many galvanised parts guarantees long-term value retention.

Quick set-up and dismantling of mobile version. Particularly popular with stationary sawmills as a circular resaw. Innovative rubber wheels ensure high adhesion even with icy boards. The board width is adjusted via a driven spindle. The distance of the saw blades is displayed on a scale. Setwork available.



Technical data

Height of cut	bis 50 mm	Length of board	unlimited
Width of cut	50 to 430 mm	Weight	290 kg, mobile 410 kg
Pass through width	1.000 mm	Engine electric	electric (2 x 5 KW, 0,25 KW, 0,025 KW)
Length of deck:		Plug	32 Ampere
Infeed	5 m		CEE connector
Outfeed	3,2 m		

DUETT / QUARTETT



SERRA – offers unique engineering

.mobile .stationary .worldwide

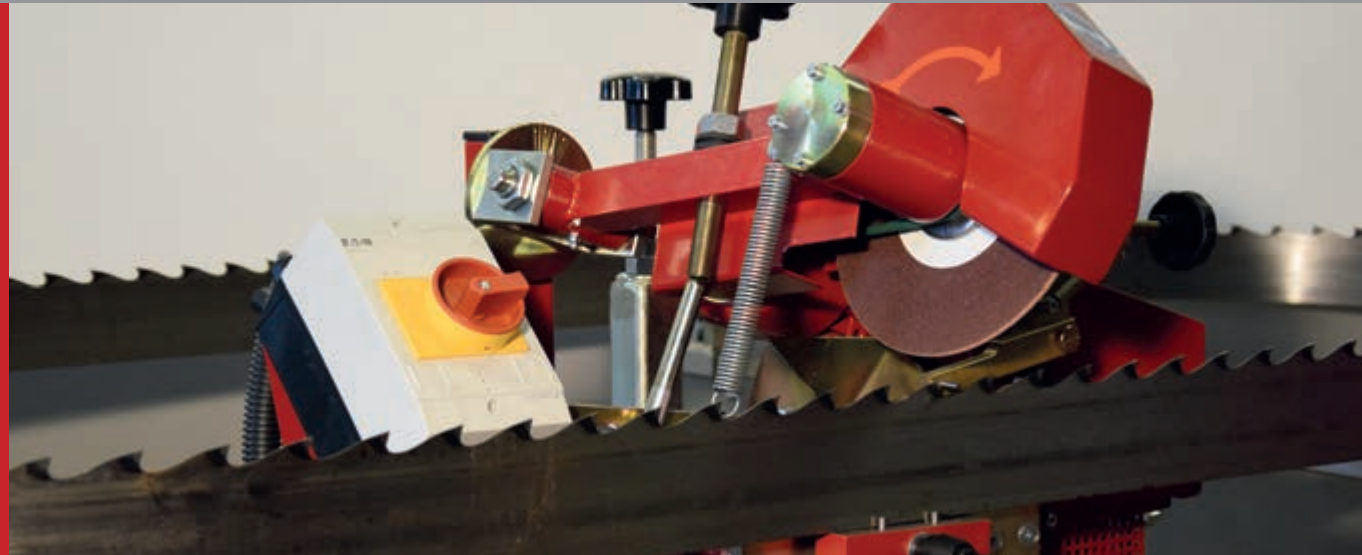
Additional products for your sawmill



As with all cutting technologies, the sharpness of the tool is of great importance.

SERRA's „Shark“ series of grinding machines offers innovative technology. Tensioning and levelling devices complete the sharpening room.

We also offer generators as an addition to our saw mills. Producing your own electricity enables you to work with an electric-driven SERRA saw mill independently from the power grid.



SHARK 200



SHARK 100



GENERATOR



TENSIONING BENCH

SERRA – offers unique engineering

.mobile .stationary .worldwide

SHARK 200

A precision machine, that is particularly easy to use



SHARK 200

A precision machine which is particularly easy to use. The Shark 200 is an innovative new development in the field of dry grinding. With integrated extraction. The patented device has a large grinding wheel with a diameter of 300 mm. The basic configuration already includes a diamond gear puller mounted on a swivel arm. This means the disc maintains the same profile and ensures absolute precision at all times. No conversion work is required if a different tooth pitch or shape is to be ground. Simply change the cam and continue sharpening. Large scale for quick and easy adjustment of the cutting angle.

“ Innovative new development in the field of dry grinding

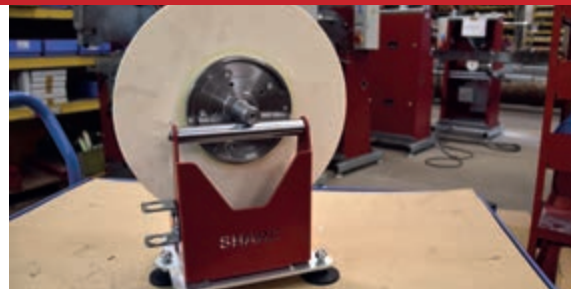
The balanced grinding wheel causes almost no vibrations, resulting in a better grinding pattern (similar to wet grinding machines!) while also significantly minimizing the risk of cracks in the blade! Easy balancing of the grinding wheel with the included balancer.



Technical data

Engine	Grinding 1,4 kW Feeding 0,18 kW Extraction 0,08 kW	Selective cam	Standart is PCP or PV, a lot more are available from 15 to 55 mm
Grinding wheel	300 x 10 x 76,2 mm	Tooth pitch	
Speed	30 teeth per minute	Weight	205 kg
		Plug	16 Ampere CEE-plug

SHARK 200



SERRA – offers unique engineering

.mobile .stationary .worldwide

SHARK 100

For mobile sharpening – SERRA SHARK 100



SHARK 100

The precision of the Shark 200 is considered one-of-a-kind on the market compared to other dry grinding machines. Not even the Shark 100 can match this accuracy. But something else makes it rather unique: With a weight of only 69 kg it is easy to transport and can always be brought along when on the road with a mobile band sawmill from SERRA. This means that dull saw blades can be resharpened already during the day. If the sharpener stays at home, the resharpening has to be done after work.

🔧 Shark 100 – The perfect companion for the road

The compact design and excellent transport properties make the Shark 100 a very popular unit. The black handle bar on the left is used to adjust the tooth height. The handle bar on the right is used to position the height of the circumferential rods. The feed pawl is set in the center at the front.



Technical data

Engine	0,25 kW (400 V)	Weight	69 kg
Speed	30 teeth per minute	Plug	16 Ampere
Tooth pitch	from 15 to 45 mm		CEE connector
Grinding wheel	200 mm		

SHARK 100



SERRA – offers unique engineering

.mobile .stationary .worldwide

Rolling and leveling the blades by yourself

SERRA TENSIONING BENCH & SERRA BLADE ROLLER UNIT

The surface of the large cast wheels are curved with a small radius (crowning) on which the saw blade runs on. This is necessary so that your saw blade does not slide off the wheel to the rear during high cutting speeds. For this purpose, the saw blade must be tensioned and aligned.

“ At SERRA new saw blades are ready to use on your crowning.

Depending on the width of the saw blade, it needs to be re-rolled sooner or later. The SERRA crowning is designed so that this is only necessary when the stellite tips are completely worn down if used properly. We would be glad to advise you on whether acquiring a tensioning bench makes sense for you. The significantly cheaper SERRA blade roller unit usually suffices. Without removing the saw blade from the machine, the planarity can get aligned with it. Please ask us. We would be happy to help you.

SERRA TENSIONING BENCH



SERRA BLADE ROLLER UNIT



Milling independently with us

GENERATORS

Generators make you independent. For fast and exact execution of jobs at any location. Generators ensure permanent and maintenance-free operation of all electric driven components in your sawmill. Exhaust free and noise reduced working. The models can be set up in some distance.

“ Exhaust free and low noise working

For many sawyers it is important, that the generator is very light. This usually is achieved with high-speed motors, which are very noisy, have a shorter lifetime and a higher consumption. Our SERRA generators are equipped with diesel engines with various capacities, which are connected with slow running (1.500 rpm.) generators. Each model is covered with a sound protection hood. Customers who have the smallest generator with 44kVA reported that it consumes only 2 - 3 liters diesel per hour.



Dieselgenerator 44 kVA

Technical Data

Performance	44 kVA	Fuse protection	16 and 32 Ampere CEE
Rev / Min	1.500 RPM	Weight	840 Kg
Engine	water cooled diesel		

Dieselgenerator 65 kVA

Technical Data

Performance	65 kVA	Fuse protection	16, 32 and 64 Ampere CEE
Rev / Min	1.500 RPM	Weight	1.030 kg
Engine	water cooled diesel		

SERRA – offers unique engineering

.mobile .stationary .worldwide

Special machines for forestry



For very sophisticated applications in the forestry, SERRA provides special solutions in high quality, that are practice-oriented and technically on the highest level.

The CutCoach is already used in many countries. Its an important and useful training device for wood workers that have to cut down tensioned trees by chain saw after storms.

The IronHorse and the WheelHorse do not only enable you to move out logs from the forest, especially the IronHorse is a allrounder in many different areas.



CUTCOACH



IRON HORSE



WHEEL HORSE

SERRA – offers unique engineering

.mobile .stationary .worldwide

CUTCOACH

CutCoach – Simulation for improved safety



CUTCOACH

Caution, danger to life: Forest workers and rescue teams, fire brigades and rescue services are all too familiar with this problem: storm chaos. Fallen trees block the road or are under voltage. The risk of accident is particularly high for all parties involved when tree trunks are quickly and professionally removed.

“ The CutCoach has been a trusted teaching device for fire brigades, trade associations, rescue services and forestry educational institutions for many years.

Only experienced sawyers who quickly choose the safest cutting pattern can guarantee a smooth process. The proven CutCoach is a modern teaching device that offers the best possible training for real emergency situations.



Technical data

Length	5.430 mm	Hydraulic pump drive	2,2 KW electric engine
Tandem axle	Tandem 2,7 t	Log length min.	3 m
Transport width	2.163 mm	Log length max.	8 m
Power connection	16 A CEE-Plug- If requested with petrol engine	Operating pressure hydraulic	200 Bar
Weight	ca. 2.200 kg (Depending on the equipment)	Hydraulic pump power	15 Liter/Min.
Speed (Trailer) max.	up to 80 km/h	Log diameter	max. 40 cm
		Length of the sawn piece	min. 30 cm

CUTCOACH





Perfect allrounder for every purpose

IRON HORSE

If you are often engaged with woodwork and maintenance on a rough terrain, the IronHorse is an indispensable tool. The machine has a wide chain drive, is extremely agile and can be used in almost any terrain. For example you can use it to move logs in forests, where other forwarders can not be used.

“ Allrounder for every purpose

The IronHorse can easily be operated by one person and makes work much easier. Depending on its application area, you can choose for different equipment's for your needs. For example, the modern forwarder can have a telescopic crane and a motor cable winch. Depending on the model, you have power up to 13hp. In forestry, professional garden landscaping or in agriculture, with the flexible allrounder you have decided for a modern working tool. Whether in case of moving wood or special precipitations, therewith you can significantly increase your efficiency in many areas.

Technical data

Crane reach	550–2150 mm	Max. lifting angle	70°
Length of stroke	0–1600 mm (2×800 mm)	Max. angle of rotation	± 61° (122°)
Pressure of stroke (Push)	1120 kg	Weight	370 kg
Pressure of stroke (Pull)	690 kg		
Lifting capacity	220–800 kg		

Classic Forest & FLEX Forest with hydraulic crane



Perfect allrounder for every purpose

WHEEL HORSE

Behind the name WheelHorse hides a terrain-oriented, articulated mini forwarder with unique features. The 6-wheel drive makes the WheelHorse a first-class vehicle for difficult terrain.

“ The WheelHorse. An indispensable working animal with great potential

Particularly with narrow passages and sensitive terrain, it shows its strengths and all with an extremely low ground pressure. A reliable 13hp strong petrol engine from Honda grants sufficient strength with a low consumption.



Technical data – T1700 4WD

Dimensions (mm) LxWxH 4.650–5.230 x 1.350 x 1.990 mm
Max. loading capacity 1.500 kg
Transmission Variator/gearbox/chain drive
Hydraulic gear box Double pump 1,9/3,8 cm³
Main engine Honda 13hp engine

additional drive (Trailer) hydraulic drive
Speed max. 15/6 km/h (High gear/Low gear)
Crane length / lifting capacity 3,3 m/150kg 1,2m/350 kg
Support legs hydraulically extendable
Radio control range (optional) 25m length / traction 500kg

Technical data – T1750 4WD

Dimensions (mm) LxWxH 5.530–6.110 x 1.420 x 1.990 mm
Max. loading capacity 2.000 kg
Transmission Variator/gearbox/chain drive
Hydraulic gear box Double pump 1,9/3,8 cm³
Main engine Honda 13hp engine

additional drive (Trailer) hydraulic drive
Speed max. 15/6 km/h (High gear/Low gear)
Crane length / lifting capacity 3,5 m/240kg 1,2m/600 kg hydraulic
Support legs hydraulically extendable
Radio control range (optional) 25m length / traction 500kg

WHEEL HORSE



SERRA – offers unique engineering

.mobile .stationary .worldwide

PROJECT PLANNING

The SERRA project planning

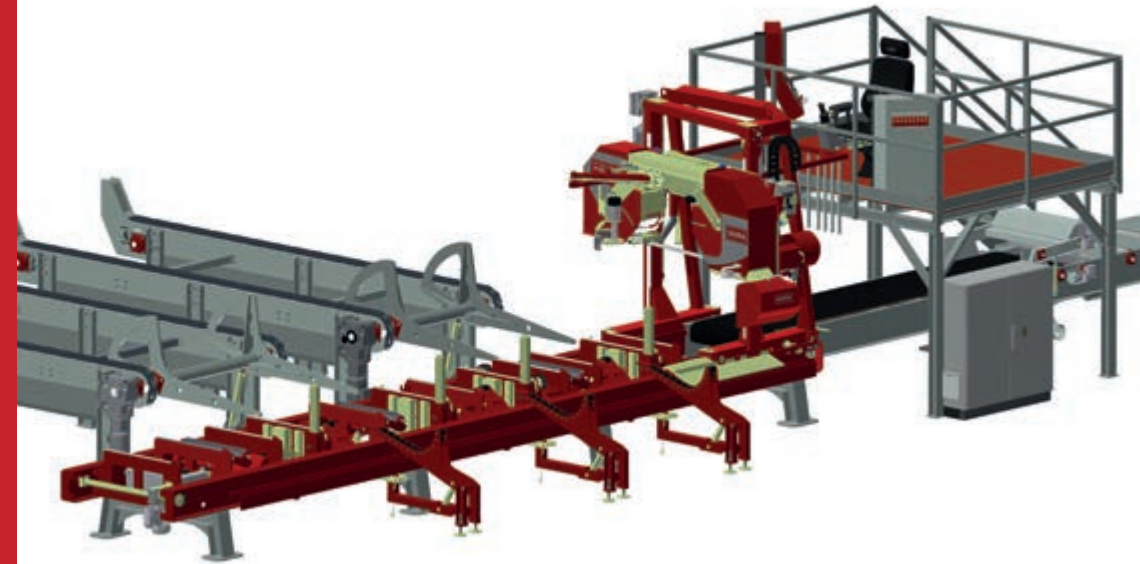


PROJECT PLANNING

The art of project planning is to logically combine all machinery within a saw mill plant. Roller conveyors and transverse conveyors ensure a continuous flow of material.

In order to rise production an additional resaw is recommended. Circular resaws and band resaws are available. Frequently, multiple band saws and resaws are used in the planning process.

Installations with, e.g. two horizontal band saws, an edger and one multirip resaw have an output of about 100 cubic meters or more per shift and have many advantages compared to large saw mill plants: no costly foundation is needed, no work stoppage while maintenance, flexible restructuring options, lower financial risk



Standard expansion modules

The following standard modules are available for facilitating the flow of wood on the log band saw: Log feeder with log separation, unloading arms, receivers, board separator, buffering station and roller conveyors

All this modules are operated by the operator of the saw mill. Unloading arms and receivers are also available for mobile sawmills, with receivers being foldable.

PROJECT PLANNING



SERRA – offers unique engineering

.mobile .stationary .worldwide

SERVICE

Unique technology with a unique service



SERVICE

Customer satisfaction and first-class service is particularly important at SERRA. We guarantee satisfaction. This is based on a few simple tenets:

- Each sawmill is individually designed with state of the art 3D CAD programs. We guarantee short delivery times while maintaining the same high quality. We offer a fast and reliable supply of spare parts through a global service.
- You can personally try out all sawmills under professional supervision at our demonstration hall. Your saw mill is unique. We manufacture each model according to your individual price and performance requirements. Once the device is fabricated, experienced professionals will personally instruct you on how to use your sawmill.
- You may request our mobile customer service at any time. We offer expert advice through our in-house hot-line. Free tips, suggestions and user experiences are shared in our practical online customer magazine SERRA INSIDE.



Export service

More than 50% of our production gets exported. Safely loaded and packed well in a container your customized machine will reach your home at any destination. World wide.

Calculation

You want to know how your SERRA saw mill gonna pay off? Have a look at the real figures.

Financing

Don't hesitate to contact us by requiring an offer with 0 % financing over a period of 6 months.

Saw blades

Since 2011 we are producing the SERRA band saw blades with our own professional CNC machines. Additionally saw blade maintenance is provided.



TECHNICAL DATA

OVERVIEW OF SAWMILLS BY SERRA

All SERRA models comply with the strict safety standards of the EUROPEAN UNION with CEE symbols

	XE 160	XE 135	XT 135	SL 130i
Max. Capacities				
Log length*	bis 6,00 m	bis 6,00 m	bis 6,00 m	7,00 m und 8,70 m
Log diameter	163 cm x 207 cm	133 cm x 160 cm	133 cm x 160 cm	130 cm x 152 cm
Space above the sawblade	69 cm	50 cm	50 cm	50 cm
Space below the sawblade	137,5 cm	111 cm	111 cm	110 cm
Width of cut	140 cm	100 cm	100 cm	100 cm
Performance / 8 h**	36 cbm	33 cbm	33 cbm	33 cbm
Main engine				
	32 kW electric	22 kW electric	22 kW electric	18,5 kW electric
	45 kW electric (option)	32 kW electric (option)	18,5 kW electric (option)	22 kW electric (option)
Sawblades (Millimeter)				
Width	150	120 or 140	120 or 140	100 or 120
Thickness	1,3	1,1 or 1,2	1,1 or 1,2	1,1
Length	7.110 to 7.605	5.520 to 6.030	5.520 to 6.030	5.530 to 6.030
Hydraulic equipment				
Log Handling (loading, turning, clamping ...)	hydraulic	hydraulic	hydraulic	hydraulic
Sawhead advance	electric/hydraulic	electric/hydraulic	electric/hydraulic	electric/hydraulic
Height adjustments	electric	electric	electric	electric
Sawblade guidance	hydraulic	hydraulic	hydraulic	hydraulic
Precutter	yes	yes	yes	yes
Sawdust container	yes	yes	yes	yes
Computer	yes	yes	yes	yes
Automatic operation	yes	yes	yes	yes
Weight***	only stationary	only stationary	up to 8,0 to	up to 3,5 to

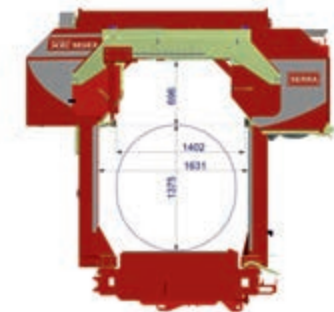
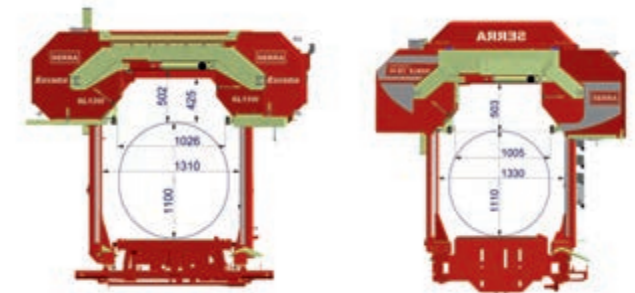
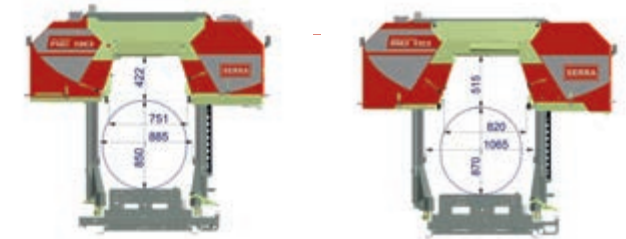
* longer on request ** dependent on diameter of log, board dimensions and number of helper *** dependent on outfitting options

We are constantly working on advancing our development and technological improvements of our product line and to make them available to our customers. For this reason we reserve the right for technical changes as well as prices.

TECHNICAL DATA

OVERVIEW OF SAWMILLS BY SERRA

SL 110i	ME 110 / MD 110	KE 90 / KB 90	FE 50
7,00 m and 8,70 m	7,00 m and 9,00 m	7 m	to 3,60 m
110 cm x 140 cm	106 cm x 138 cm	88 cm x 127 cm	40 cm x 68 cm
50 cm	51,5 cm	42 cm	20 cm
87 cm	87 cm	85 cm	48 cm
82 cm	82 cm	75 cm	40 cm
33 cbm	28 cbm	18 cbm	5 cbm
18,5 kW electric	18,5 kW electric	18,5 kW electric	4 kW electric
22 kW electric (option)	22 kW electric (option) 33 kW (44 hp) diesel	26 kW (35 hp) petrol	
100 or 120	100 or 120	80	35
1,1	1,1	1	0,9
5.320 to 5.705	5.705	5.110	3.115
hydraulic	hydraulic	hydraulic	manual
electric/hydraulic	electric/hydraulic	electric/hydraulic	manual
electric	electric	electric	manual
hydraulic	hydraulic	manual/hydraulic	manual
yes	yes	yes	no
yes	yes	yes	no
yes	yes	yes	no
yes	yes	no	no
up to 3,5 to	up to 3,5 to	up to 3,5 to	0,28 to





SERRA

SERRA Maschinenbau GmbH

Bahnhofstraße 83

D-83253 Rimsting

Tel +49(0)8051-96400-0

Fax +49(0)8051-96400-50

info@serra.de

www.serra-sawmills.com