



SUPER 400/500

High Precision Surface Planers



■ **Extra Long Tables**

For highly accurate machining and straightening

■ **Table Rise and Fall**

Rapid effortless counterbalanced lever adjustment

■ **Depth Read-out Scale**

For accurate and easy table setting

■ **Grouped Controls**

Reduce operator fatigue

■ **Minimum Maintenance**

Sealed for life bearings

■ **Accurate Fence**

Easily and precisely positioned by rack and pinion

■ **Full Cutter Guarding**

Designed for safe operation

■ **Simple Cutter Setting Device**

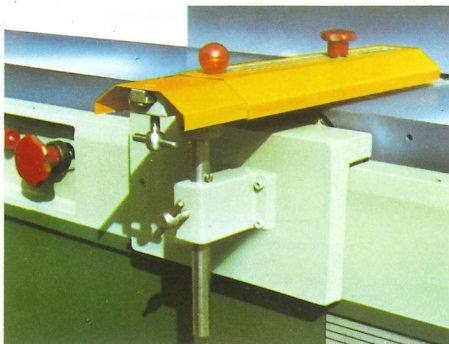
Less 'downtime', increased production

■ **Slotted Lip Plates**

Reduces noise

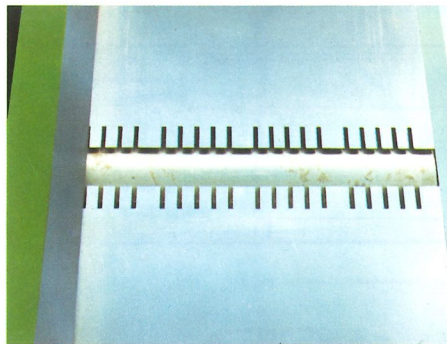
■ **Robust, Built to Last**

Will give years of service



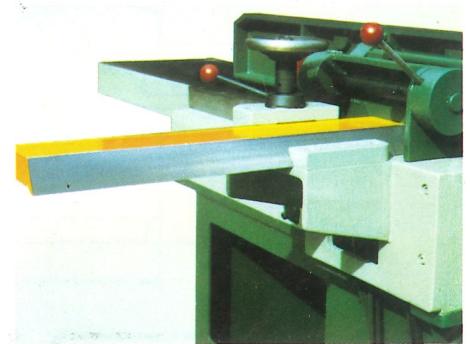
■ **Cutterblock Guards**

The standard front guard is easily adjusted and the rear guard automatically covers the cutterblock when fence is positioned. A unique feature ensuring absolute safety.



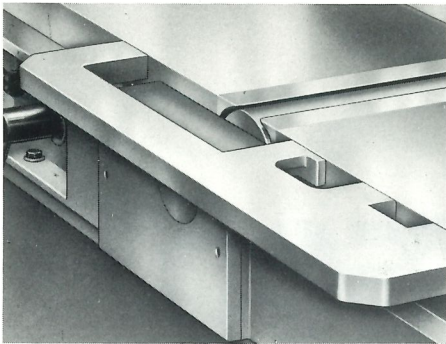
■ **Two Knife Cutterblock**

A four knife cutterblock is an optional extra. Slotted lip plates reduce noise.



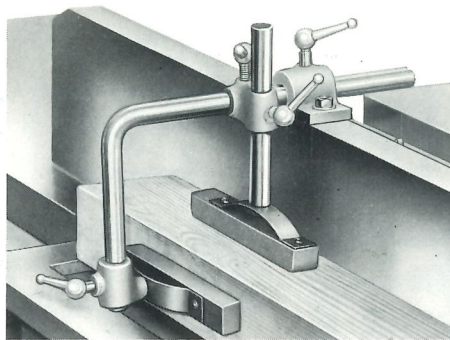
■ **The Fence Unit**

Rapid and fine adjustment on a precision rack and pinion slide allows accurate easy positioning. The extra long rigid fence plate tilts to 45° and provides perfect control at all times.



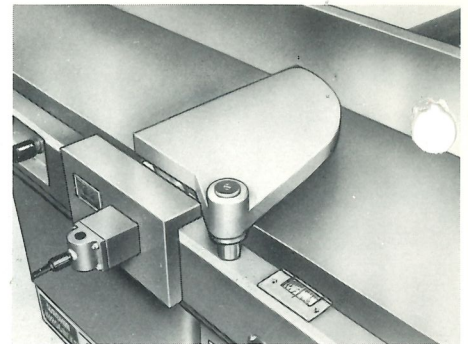
***Rebate Table**

Designed to provide rigid work support. Makes rebating easier and more accurate.



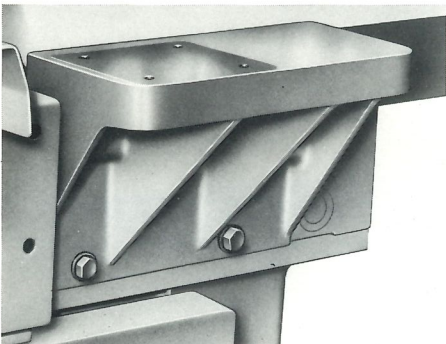
***Shaw Guard**

In the interest of safety a Shaw guard must be fitted when rebating.



***Boomerang Guard**

The guard completely covers the cutterblock and has a spring loaded self return feature. It can be fitted to meet certain overseas safety requirements.

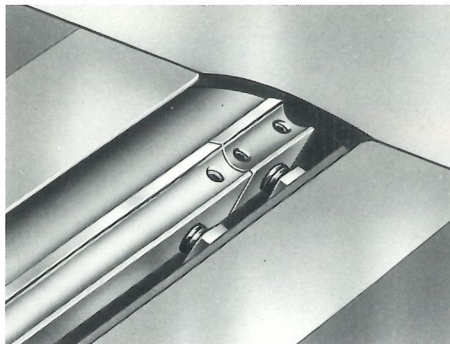


***Support Bracket**

Does not reduce capacity when fitted with BLG 8 powerfeed unit which considerably increases production.

Depth and Height Stops

Enable machine to be changed from rebating to ordinary surfacing positively and quickly.

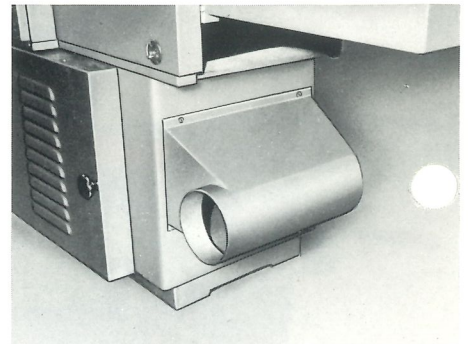


***Tungsten Tipped Cutter Inserts**

Widens the scope of the machine, as difficult materials, eg. chipboard, formica etc., can be edged.

Cutter block Wedges

Adjustable for height effectively reducing the hook angle on knife for improved finish on difficult mahogany type timbers.



Dust Outlet

Machine can be connected to existing chip extraction system, a saving in cost. Outlet diameter 150mm (6in).

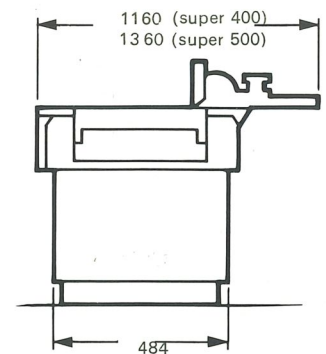
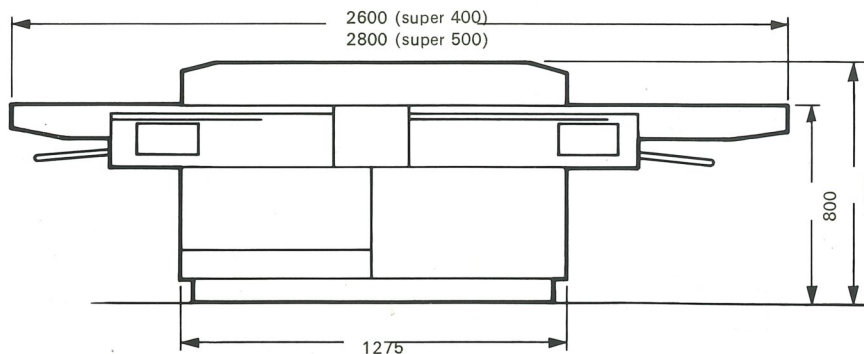
Electrically Safe

No volt release and overload protection ensure complete electrical safety.

Specification

	Super 400		Super 500			Super 400		Super 500	
Table width	16in	400 mm	20in	500 mm	Overall height of machine	38in	975 mm	38in	975 mm
Length of infeed table	57in	1440 mm	61in	1540 mm	Cutterblock speed	5000 rev/min		5000 rev/min	
Length of outfeed table	45in	1138 mm	49in	1238 mm	Cutting circle diameter	4 $\frac{3}{4}$ in	120 mm	4 $\frac{3}{4}$ in	120 mm
Overall length of machine	102in	2600 mm	110in	2800 mm	Maximum depth of rebate	2 $\frac{1}{2}$ in	20 mm	2 $\frac{1}{2}$ in	20 mm
Table height from floor	31 $\frac{1}{2}$ in	800 mm	31 $\frac{1}{2}$ in	800 mm	Motor	4hp	3 kW	5 $\frac{1}{2}$ hp	4 kW
Length of fence	43in	1100 mm	43in	1100 mm	Net weight	1400lb	635 kg	1764lb	800 kg
Height of fence	6 $\frac{7}{8}$ in	175 mm	6 $\frac{7}{8}$ in	175 mm	Gross weight	1543lb	700 kg	1929lb	875 kg
Fence will cant to		45°		45°	Shipping dimensions	76cu.ft.	2.15m ³	91cu.ft.	2.58m ³

***Optional extras**



SALES

WADKIN LTD.

Green Lane Works, Leicester LE5 4PF, England
 Telephone: 0533 769111 Telex: 34646 (Wadkin G)
 Telegrams & Cables: Woodworker, Leicester, Telex

Also York House, Empire Way, Wembley, Middx. HA9 0PA
 Telephone: 01-902 7714 (3 lines) Telex: 262210

SERVICE

BURSGREEN (COLNE) LTD.

Lodge Holme, Trawden, Nr Colne, Lancs.
 Telephone: (0282) 865310. Telex: 635032

As our policy is constantly to improve the design of Bursgreen woodworking machinery, the details given in this leaflet are not to be regarded as binding.

