

Well positioned



From S to XXL – saws from HOLZMA

Version 2016/1



Founded in 1966, HOLZMA Plattenaufteiltechnik has been setting high standards in the industry for fifty years. Since then, HOLZMA has established itself as the world's largest manufacturer of panel dividing saws and systems.

HOLZMA – cutting panels with speed and precision



Flexible and economical

Whether we are talking about single saws, angular saw units or large-scale installations, about standard equipment or special options, HOLZMA panel saws can help you process your orders faster, more economically and with a greater degree of flexibility. How? Our engineers will analyze your company's requirements and then put together a customized performance package for you.

HOLZMA panel saws offer customers in both the joinery and carpentry sector and in industry tight-tolerance finish cuts for all wood and plastic panel materials.

Wide range of competence

The product portfolio includes single saws and angular saw units with manual or automatic feed, as well as large industrial units with automatic feeding and stacking systems. The control and software areas include machine controls on various platforms, system simulations and cutting pattern optimization programs as part of the core competency of the company.

Your partner for perfect service

Proximity and availability are the keys to perfect service. HOLZMA offers you both – throughout the world. The HOMAG Group has the industry's largest international sales and service network.

Specialists from our Service Center are in action for you all around the globe. They are supported by sales and service companies, exclusive sales partners and independent dealers. That's the kind of service that gives you an edge over your competitors.

HOLZMA offers further, country-specific saws and solutions. Ask us about them.



Cut Rite

HOLZMA's worldwide leading optimization software Cut Rite is a powerful, user-friendly program for cut optimization of sheet materials. It reduces waste and – depending on the version – the processing and material costs as well, thereby bringing down the overall cutting costs.



CADmatic

CADmatic is HOLZMA's proprietary machine control software. The easy-to-understand CADmatic operating software from HOLZMA enables even inexperienced operators to quickly get to grips with their tasks.



Simulation

With the aid of simulation technology, machines and systems, or even entire production areas, can be visualized in the form of dynamic models. This allows a very accurate prediction of their behavior (output and also bottlenecks) with a given production program.



HPP 130 – simply better, right from the start

The HPP 130 makes it easier than ever for you to enter the world of high precision production. This new HOLZMA development costs little more than a well-equipped table circular saw while cutting single panels to a much higher level of precision and far more efficiently.

- Excellent quality at an excellent price
- Ideal for processing single panels and small batches
- HOLZMA control software CADmatic PRACTIVE – proven and easy to use

Technical data*	HPP 130
Saw blade projection	60 mm
Cutting length(s)	3200 mm
Saw carriage speed	up to 60 m/min
Program fence speed**	up to 60 m/min
Main saw motor	5.5 kW (7.5 kW as option)



HPP 200 – more flexible, right from the start

HOLZMA has now also revamped, streamlined and simplified its range of products in the 2 series. This means that you now have far greater flexibility in equipping your HOLZMA saw. The standard version of the HPP 200 already boasts everything a panel saw needs. You decide what more you want. You can choose optional features with greater flexibility than ever before. As a result, you invest no more than is necessary.

- Compact, rugged, versatile and hugely popular all over the world
- With CADmatic 4 PRACTIVE with 3D flow diagram
- Options for all woodworking needs

Technical data*	HPP 200
Saw blade projection	60 mm (80 mm as option)
Cutting length(s)	3200/3800/4300 mm
Saw carriage speed	up to 80 m/min (120 m/min as option)
Program fence speed**	up to 80 m/min
Main saw motor	7.5 kW (9.2 kW as option)
Scoring saw motor	1.1 kW

* Values relate to the standard version

** In EU countries, Switzerland and Liechtenstein, forward speed is restricted to 25 m/min



HPP 300 profilLine – compact and powerful

The proven base model of the 3 series offers high performance in a compact design. The ideal solution to meet rising requirements.

- Compact design, extremely rugged
- Ask us about the Power Concept – for up to 40% higher output!
- powerTouch included as standard

Technical data*	HPP 300
Saw blade projection	80 mm (95 mm as option)
Cutting length(s)	3200/3800/4300/5600 mm
Saw carriage speed	up to 130 m/min (150 m/min as option)
Program fence speed**	up to 90 m/min
Main saw motor	11 kW (13.5 or 18 kW as option)
Scoring saw motor	1.5 kW (2.2 kW as option)



HPL 300 profilLine – with automatic feed system

Looking for a panel saw that sets you up for big jobs? Then the HPL 300 is the right choice for you. It has everything that makes the 3 series powerful, with the convincing addition of an integrated lifting table for automatic feeding. This allows you to speed up and thereby increase your production considerably.

- Short production times due to automatic feeding
- Compact design, extremely rugged
- Even more optional features than the HPP 300
- powerTouch included as standard
- Power Concept available on request

Technical data*	HPL 300
Saw blade projection	80 mm (95 mm as option)
Cutting length(s)	3200/3800/4300/5600 mm
Saw carriage speed	up to 130 m/min (150 m/min as option)
Program fence speed**	up to 90 m/min
Main saw motor	11 kW (13.5 or 18 kW as option)
Scoring saw motor	1.5 kW (2.2 kW as option)



HKL 300 profilLine – angular saw unit

The HKL 300 angular saw unit is the top model of the 3 series – designed for small batches, high volumes and maximum precision in continuous operation. The system cuts entire books of panels as accurately as it does single panels. Fully automatically and with long-term reliability.

- Angular saw unit with small footprint
- High quality cuts in record time
- Power Concept available on request
- powerTouch included as standard
- Turning device available as option

Technical data*	HKL 300
Saw blade projection	80 mm (95 mm as option)
Cutting length(s)	rip saw: 3200/4300/5600 mm cross cut saw: 2200 mm
Saw carriage speed	up to 130 m/min (150 m/min as option)
Program fence speed**	up to 90 m/min
Main saw motor	11 kW (13.5 or 18 kW as option)
Scoring saw motor	1.5 kW (2.2 kW as option)

HOLZMA ecoPlus – technology that really pays off

Save energy, time, material and personnel with innovative ecoPlus technologies from HOLZMA. Available for all models of the 3 and 4 series.



Maximum recut efficiency with combiTec

New: HOLZMA now optionally equips all saws of the 3 series with the innovative combiTec feature for batch size 1 production. This feature completes recuts directly during the regular cutting cycle – and in the case of angular saw units even fully automatically in throughfeed mode. The benefits: less handling, less waste and significantly lower unit costs.

* Values relate to the standard version

** In EU countries, Switzerland and Liechtenstein, forward speed is restricted to 25 m/min

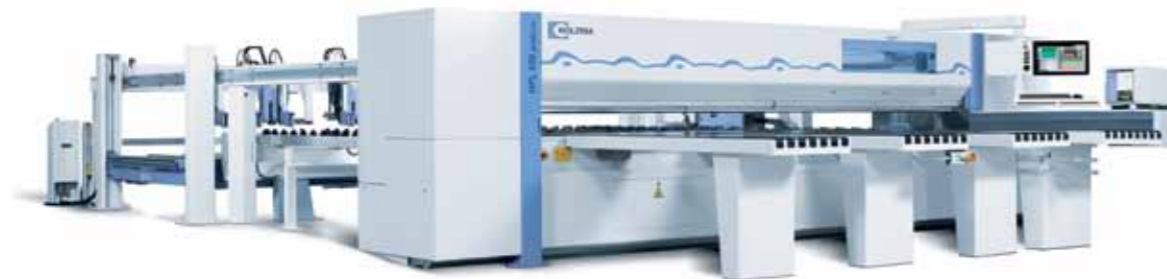


HPP 400 profilLine – simply powerful

This saw offers impressive performance and speed. Its dependable technology makes it economically attractive. The 110 mm and 125 mm saw blade projection provide the required high-throughput capability. In short, with the 4 series HOLZMA has completely redefined the ratio of price to performance.

- Designed to cut large quantities of panels to finish cut quality
- High throughput
- Ergonomic table height of 920 mm
- Attractive price / performance ratio
- Reliable and easy to operate
- powerTouch included as standard
- Power Concept available on request

Technical data*	HPP 400
Saw blade projection	110 mm (125 mm as option)
Cutting length(s)	3200/3800/4300/5600 mm
Saw carriage speed	up to 130 m/min (150 m/min as option)
Program fence speed**	up to 90 m/min
Main saw motor	13.5 kW (18 kW as option)
Scoring saw motor	2.2 kW

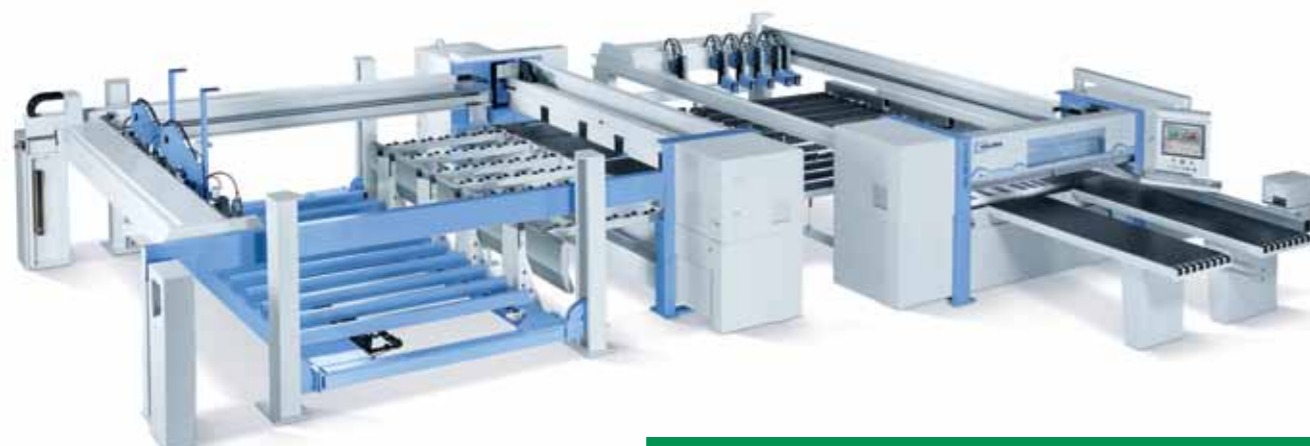


HPL 400 profilLine – with automatic feed system

A high-performance saw that is absolutely perfect for producing larger quantities in finish cut quality – reliable, precise and highly productive.

- Designed for finish cut quality on a grand scale
- Highly productive thanks to automatic feeding system and high saw blade projection
- Attractive price / performance ratio
- Reliable and easy to operate
- Enormous potential with low space requirement
- powerTouch included as standard
- Power Concept available on request

Technical data*	HPL 400
Saw blade projection	110 mm (125 mm as option)
Cutting length(s)	3200/3800/4300/5600 mm
Saw carriage speed	up to 130 m/min (150 m/min as option)
Program fence speed**	up to 90 m/min
Main saw motor	13.5 kW (18 kW as option)
Scoring saw motor	2.2 kW



HKL 400 profilLine – angular saw unit

Fully automatic cutting with state-of-the-art technology: the HKL 400 copes effortlessly with even large books of panels – and at high speeds. It features an impressively puristic design and focuses on cutting larger quantities fast.

- Designed for finish cut quality on a grand scale
- Highly productive thanks to automatic feeding and high 110 mm or 125 mm saw blade projection
- Cutting lengths of up to 5600 mm
- Attractive price / performance ratio
- Reliable and easy to operate
- Enormous potential with low space requirement
- powerTouch included as standard
- Power Concept available on request

Technical data*	HKL 400
Saw blade projection	110 mm (125 mm as option)
Cutting length(s)	rip saw: 3200/4300/5600 mm cross cut saw: 2200 mm
Saw carriage speed	up to 130 m/min (150 m/min as option)
Program fence speed**	up to 90 m/min
Main saw motor	13.5 kW (18 kW as option)
Scoring saw motor	2.2 kW

HOLZMA ecoPlus – technology that really pays off

Save energy, time, material and personnel with innovative ecoPlus technologies from HOLZMA. Available for all models of the 3 and 4 series.



Maximum recut efficiency with combiTec

New: HOLZMA now optionally equips all saws of the 4 series with the innovative combiTec feature for batch size 1 production. This feature completes recuts directly during the regular cutting cycle – and in the case of angular saw units even fully automatically in throughfeed mode. The benefits: less handling, less waste and significantly lower unit costs.

* Values relate to the standard version

** In EU countries, Switzerland and Liechtenstein, forward speed is restricted to 25 m/min

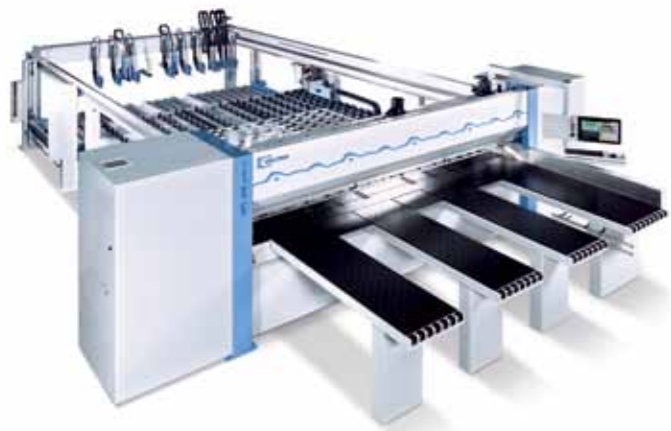
The 5 series Portfolio revamped and streamlined. For purpose-designed, custom machine configuration.



HPP 500 profilLine – advantage through size

The HPP 500 boasts innovative technologies and a uniquely rugged design. A saw blade projection of 150 mm or 170 mm ensures top performance.

Technical data*	HPP 500
Saw blade projection	150 mm (170 mm as option)
Cutting length(s)	3200/3800/4300/5600/6500 mm
Saw carriage speed	up to 130 m/min (150 m/min as option)
Program fence speed**	up to 90 m/min
Main saw motor	18 kW (36 kW as option)
Scoring saw motor	2.2 kW



HPL 500 profilLine – powerhouse with automatic feed system

The HPL 500 is equipped with a heavy-duty lifting table for automatic feeding. This again significantly speeds up the manufacturing process.

Technical data*	HPL 500
Saw blade projection	150 mm (170 mm as option)
Cutting length(s)	3200/3800/4300/5600/6500 mm
Saw carriage speed	up to 130 m/min (150 m/min as option)
Program fence speed**	up to 90 m/min
Main saw motor	18 kW (36 kW as option)
Scoring saw motor	2.2 kW

HKL 500 profilLine – the angular saw unit of the 5 series

The HKL 500 profilLine is designed for continuous industrial use. It can be supplemented by individual, tailored solutions and offers the convincing technological benefits of the 5 series: impressive size and strength, and great flexibility in configuration. It is ideal for multi-shift production environments, as well as for integration in automated production lines.

Technical data*	HKL 500
Saw blade projection	150 mm (170 mm as option)
Cutting length(s)	rip saw: 3200/4300/5600 mm cross cut saw: 2200/2700 mm
Saw carriage speed	up to 130 m/min (150 m/min as option)
Program fence speed**	up to 90 m/min
Main saw motor	18 kW (36 kW as option)
Scoring saw motor	2.2 kW

* Values relate to the standard version
** In EU countries, Switzerland and Liechtenstein, forward speed is restricted to 25 m/min

Photos show an older design



HKL 600 profilLine – the high-performer

The HKL 600 angular saw unit of the new HOLZMA 6 series embodies the ultimate in performance and availability. This new development combines innovative technologies with efficiency and unparalleled ease of servicing and maintenance, thus guaranteeing a long machine life even when utilized to the maximum. This makes the 6 series the new high-performer for all those who cut large quantities of panels in books in a short space of time, who produce in large batches and who are looking for a powerful saw for multi-shift operation.

Technical data*	HKL 500
Saw blade projection	190 mm
Cutting length(s)	rip saw: 3200/4300/5600 mm cross cut saw: 2200/2700 mm
Saw carriage speed	up to 130 m/min (150 m/min as option)
Program fence speed**	up to 90 m/min
Main saw motor	36 kW at 50 Hz, or 42 kW at 60 Hz
Scoring saw motor	2.2 kW

Highlights of the 5 and 6 series

Highlights

- Exceptionally easy servicing and maintenance
- Innovative extraction geometry
- Designed for smooth material flow and precise logistics
- Cleaning flaps at front and rear
- Clamps with two fingers

SORB TECH mineral casting

- Rugged and torsion-resistant
- Vibration absorbing
- Quiet
- Stress-free

In comparison with steel base constructions, that means:

- 10 times better vibration dampening
- 20% higher sound absorption
- 30% longer saw blade life
- 40% lower consumption of primary energy during its production
- Even greater cutting precision

Saw carriage

- Innovative extraction technologies
- Very easy maintenance, e.g. thanks to simple belt change
- Minimum belt wear due to design changes

- All main saw and scoring saw parameter settings can be saved. This allows the pair of saw blades to be fitted after sharpening without requiring any readjustment (available as option if the scoring saw is motor lifted)
- Saw carriage guide with self-adjusting running rollers (patent pending)
- A modified sealing system ensures that chips are guided away from the saw blade to the chip channel
- Just a small number of central lubrication points – each one clearly marked and easily accessible



HPP 200 P – the smallest saw in the P series

The HPP 200 P has what it takes to be a champion: short cutting cycles, compact machine dimensions and excellent quality.

- Saw carriage with minimum-quantity spraying device (optional)
- CADmatic 4 PRACTICE
- Frequency-controlled main saw motor
- Narrow-finger clamps
- Extraction system specifically designed for plastics

Technical data*	HPP 200 P
Saw blade projection	80 mm
Cutting length(s)	3200/4300 mm
Saw carriage speed	0.1-80 m/min (120 m/min as option)
Program fence speed**	up to 80 m/min
Main saw motor	13.5 kW



HPP 300 P – precise and profitable

A fast, versatile single saw that can do everything and has a short payback period. Precision cuts and profitability even with small batches.

Technical data*	HPP 300 P
Saw blade projection	95 mm
Cutting length(s)	3200/4300 mm
Saw carriage speed	0.1-130 m/min (150 m/min as option)
Program fence speed**	up to 90 m/min
Main saw motor***	18 kW



HPP 400 P – packed with power

With a saw blade projection of up to 125 mm, the HPP 400 P is able to master even large books of panels effortlessly – with the utmost precision and high-speed cutting.

Technical data*	HPP 400 P
Saw blade projection	125 mm
Cutting length(s)	3200/4300 mm
Saw carriage speed	0.1-130 m/min (150 m/min as option)
Program fence speed**	up to 90 m/min
Main saw motor***	18 kW



HPP 500 P – high-volume plastics processing

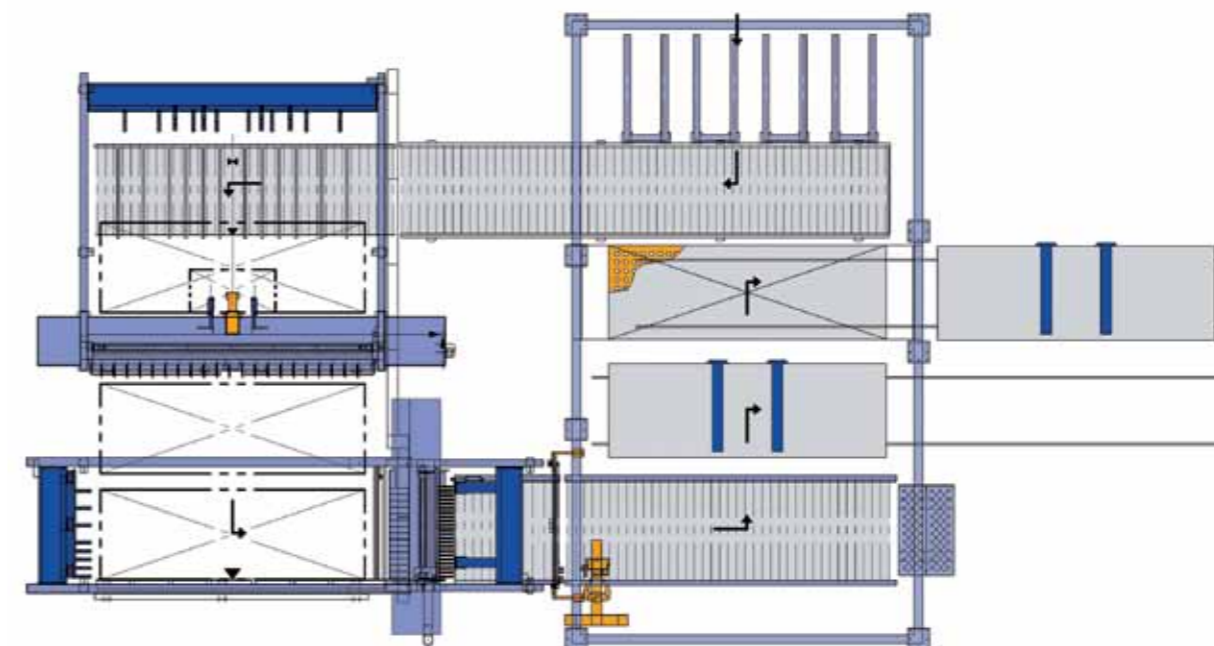
Innovative technologies, compact construction and tremendously fast processing speed make the HPP 500 P the high-performance saw for plastics processing.

- Extremely rugged design for continuous, multi-shift operation
- Saw body made of SORB TECH – particularly quiet, low on vibration and torsion resistant
- Wide range of optional features for tailored performance and operation

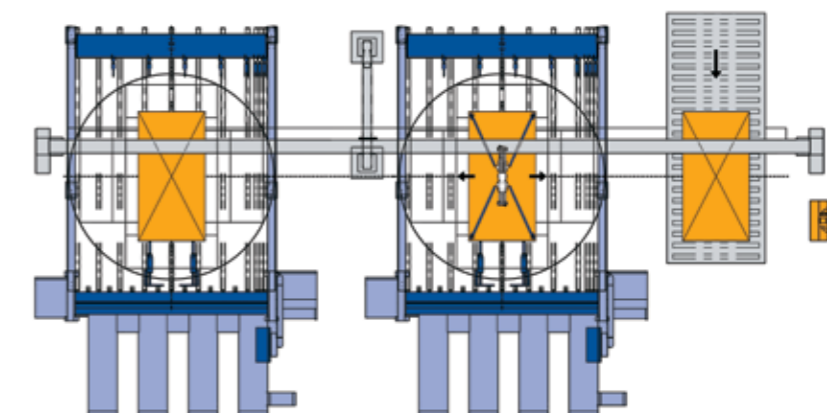
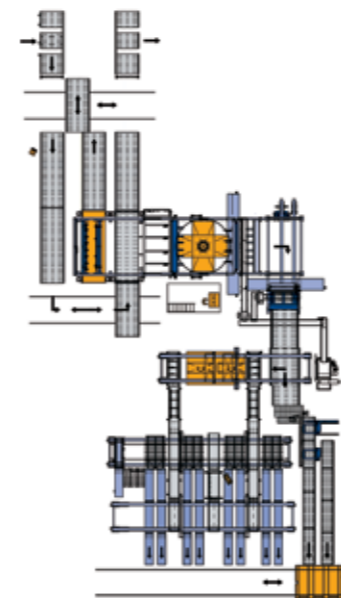
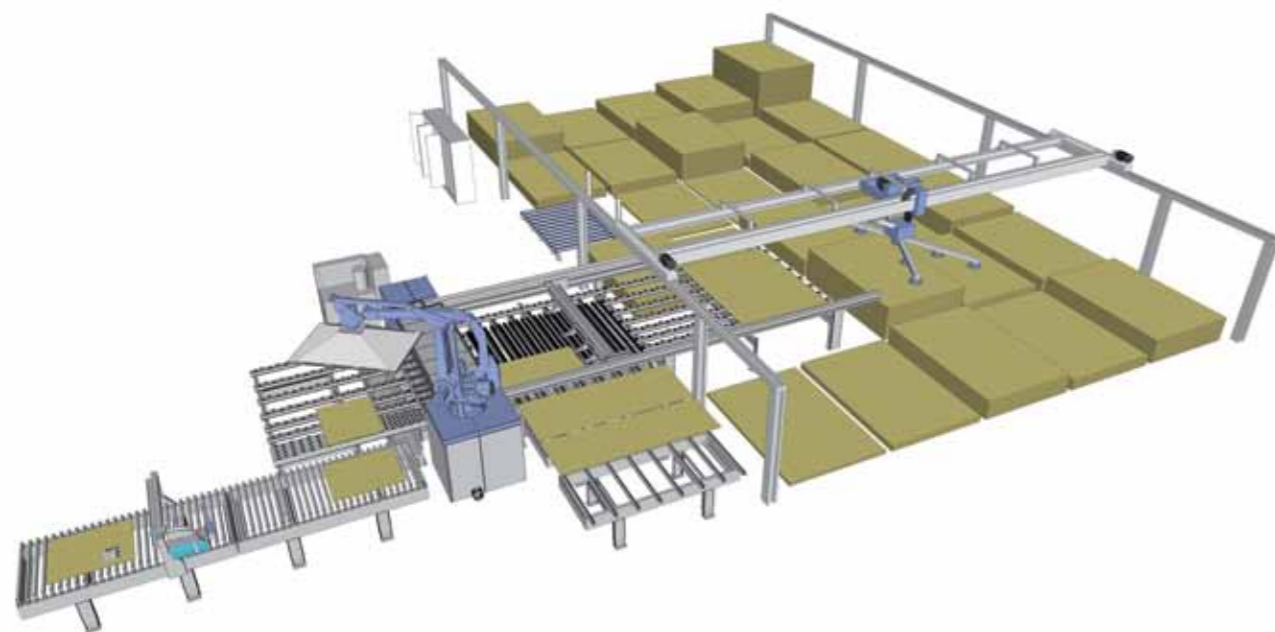
Technical data*	HPP 500 P
Saw blade projection	150 mm (170 mm as option)
Cutting length(s)	3200/4300/5600 mm
Saw carriage speed	0.1-150 m/min
Program fence speed**	up to 90 m/min
Main saw motor***	36 kW

Custom solutions

Exceptional requirements call for exceptional solutions. HOLZMA provides just that for processing plastics – from single saws to industrial systems. Your HOLZMA sales consultant will be pleased to give you more information.



* Values relate to the standard version
 ** In EU countries, Switzerland and Liechtenstein, forward speed is restricted to 25 m/min
 *** For 50 Hz operation



HPS 320 flexTec – the revolution in panel cutting

With the HPS 320 flexTec, HOLZMA has developed a revolutionary cutting cell to custom cut single panels. This innovation is based on a concept that totally redefines the parts flow in order-based production and allows single panels to be custom cut under batch production conditions.

Fully automatic recuts without limit

The HPS 320 flexTec is equipped with state-of-the-art robotic technology and completes all recuts fully automatically – without any manual intervention, without interrupting the production sequence, without limit.

Optimum material yield

The new cutting cell has been optimized specifically to custom cut single panels. This maximizes material yield and significantly reduces waste.

Low space and energy requirements

No feed-stacking, no intermediate storage, no turning device and just one saw: the HPS 320 flexTec allows you to minimize maintenance costs, increase availability and reduce operating costs.

Ideal for trade and industry

The HPS 320 flexTec is designed for maximum flexibility in the cutting process. The cell can be combined with a horizontal storage system from HOMAG Automation for automatic feeding, or integrated directly in industrial production lines for even more power. Performance, parts outfeed and machine tables are scalable according to requirements.

Technical data	HPS 320 flexTec
Saw blade projection	58 mm
Cutting length(s)	3200/4300 mm
Panel dimensions	max. 3150 x 2200 mm for 3200 mm cutting length max. 4300 x 2200 mm for 4300 mm cutting length
Part dimensions	max. 2400 x 1200 mm / min. 240 x 80 mm
Saw carriage speed	up to 150 m/min
Program fence speed	up to 90 m/min
Main saw motor	5.5 kW

Large industrial systems – advantage through systems expertise

As world market leader in horizontal panel cutting technology, HOLZMA provides custom system solutions. The spectrum of options ranges from small systems with a panel throughput of 3 m³ per hour to large industrial systems for more than 100 m³ per hour. Perfectly integrated in the respective production line, HOLZMA's complete storage system integration and intelligent software solutions ensure maximum efficiency, regardless of whether it is a case of batch size 1 production or volume production.

Handling

In addition to solutions for machinery and software, HOLZMA also offers a variety of handling systems. These include, on the one hand, feeding systems designed for feeding from the front (e.g. Econolift). On the other hand, there are solutions for feeding the machine from the rear (e.g. Easy2Feed, purely push-feed systems, the "2 in 1" system for push-feeding in conjunction with integrated vacuum feed, and purely vacuum feed systems).

These are supplemented by a range of destacking options (e.g. Ergomat, Domino System, Liftomat, rake destacking and clamp destacker).

These components are in turn supplemented by an extensive modular system of lifting tables and roller conveyors, as well as by special systems (spoilboard outfeed, aligning tables etc.).

Furthermore, HOLZMA also designs larger, customized handling systems – optionally complete with intelligent storage concepts. Here, HOLZMA works closely with HOMAG Automation.

Saw-storage combinations

- Numerous combinations, from small to large, tailored to your requirements
- Saw and storage system speak the same "language": compatibility of software and hardware
- Efficient, clearly structured processes
- Gentle material handling
- High level of automation, already with the smallest combination
- Saves time, money and material
- Optimized material flow
- Cost-effective when cutting upwards of 30 panels per day
- Just one operating terminal
- Precision cutting
- Many options for parts labeling

Saw-robot combinations

- Automatic transfer to stock, management and retrieval of offcuts
- Boosts saw output: all offcuts are immediately available and small offcuts are systematically used
- Increases the efficiency of a horizontal storage system because offcuts are stored separately
- For many HOLZMA saws of the 3, 4 and 5 series



**Choose the Original
Choose Success!**

For the Success of Original Technology
A VDMA Campaign

This brochure was given to you by:

Printed 03/16. Part number: 4-099-70-0139
Subject to technical change without notice. Misprints and errors excepted.
Illustrations may show optional equipment.



A company of the HOMAG Group



HOLZMA Plattenaufteiltechnik GmbH

Holzmastrasse 3
75365 CALW-HOLZBRONN
GERMANY

Tel. +49 7053 69-0

Fax +49 7053 6174

info@holzma.de

www.holzma.com

www.youtube.com/holzma
www.twitter.com/holzma
www.facebook.com/holzma