

# Cube Plus

Fast, precise, efficient.  
S4S planing – with no setup!





# WEINIG





# WEINIG offers more

Whoever buys a WEINIG machine today knows that they are optimally equipped for the future of their business.

**100% quality** – WEINIG machines must satisfy the highest standards. That is why the greatest care in development and manufacturing is a traditional virtue at WEINIG. You benefit from this by the long service life of your valuable investment.

**Reliability** – The availability of a machine determines how profitable your business is. WEINIG systems are known for their high standard. More than 80,000 machines from WEINIG are operating around the globe to the utmost satisfaction of our customers.

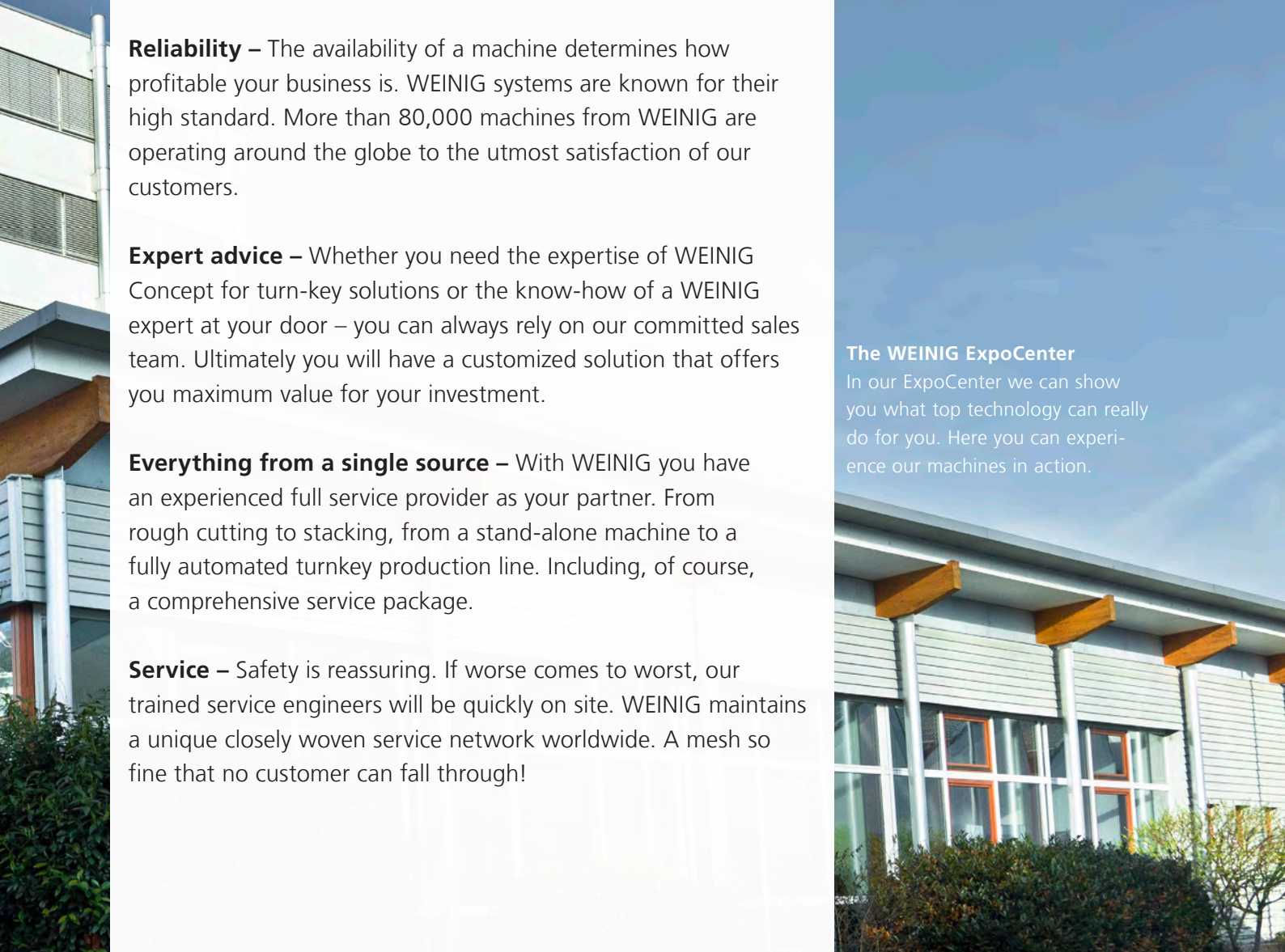
**Expert advice** – Whether you need the expertise of WEINIG Concept for turn-key solutions or the know-how of a WEINIG expert at your door – you can always rely on our committed sales team. Ultimately you will have a customized solution that offers you maximum value for your investment.

**Everything from a single source** – With WEINIG you have an experienced full service provider as your partner. From rough cutting to stacking, from a stand-alone machine to a fully automated turnkey production line. Including, of course, a comprehensive service package.

**Service** – Safety is reassuring. If worse comes to worst, our trained service engineers will be quickly on site. WEINIG maintains a unique closely woven service network worldwide. A mesh so fine that no customer can fall through!

## The WEINIG ExpoCenter

In our ExpoCenter we can show you what top technology can really do for you. Here you can experience our machines in action.



Jointing and planing was for the last century:  
**The new Cube Plus**







CUBE PLUS

**Fast, precise, efficient.  
S4S planing has never been so  
easy! Simply clever.  
Simply Cube Plus.**

How can you reliably achieve great results? In a fraction of the time you needed previously? The answer? The Cube Plus.

Discover the many convincing sides of the captivating Cube Plus: it offers perfect ease of use in combination with minimum effort and highest product quality.

# Now we are re-defining S4S: The new WEINIG Cube Plus is here!

WEINIG has always had a tradition of progress. With the Cube Plus, we are going even further. In day-to-day work, you need machinery that is both robust and simple to operate. The Cube Plus delivers precisely this.

## What you can forget: Labor costs!

Producing 90° right angles with a jointer and planer was a job for specialists:

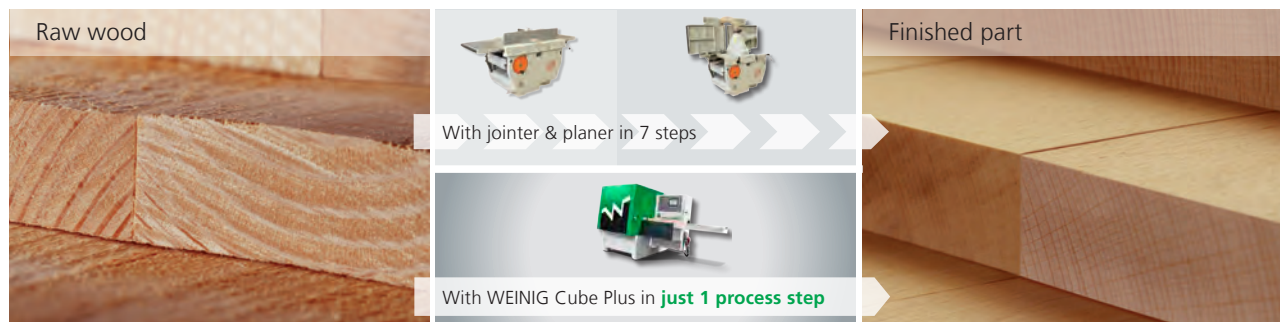
- The workpiece has to be re-run up to 7 times
- Small parts are difficult to hold, and differences in pressure create inaccuracies
- High risk of accident

Those are all things of the past.

## What you also save: Production errors!

Traditional production technology increases the probability of defects and waste. Something particularly annoying: If your workpiece is not planed at right-angles, it will be apparent in the subsequent processes and that will cost time and money.

**The Cube Plus eliminates all of these sources of error and creates precise 90° right-angled, dimensionally accurate, straight workpieces in a single pass.**



### 1. Intuitive operating

Set up, switch on – ready. Thanks to its innovative operation using a large 10" touchscreen and the fully automatic adjustments, the Cube Plus allows production to begin from the first minute.

### 2. Workpiece assessment before machining

Using MoulderPreView the positions of the spindles are projected onto the workpiece on the infeed table. As a result, you can immediately visualize the extent of chip removal on all four sides and increase the yield.

### 3. Perfectly right-angled workpieces

With its system comprising machine table, fence and spindles, the Cube Plus guarantees perfectly right-angled workpieces – the prerequisite for high-quality end products.

### 4. Reduction of noise emission

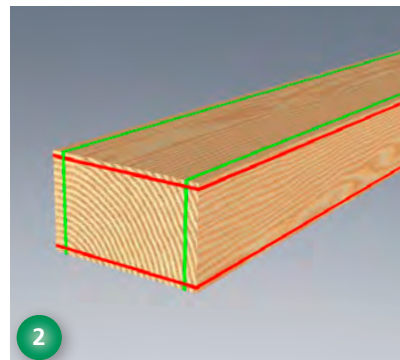
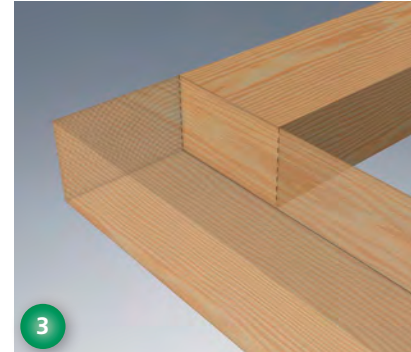
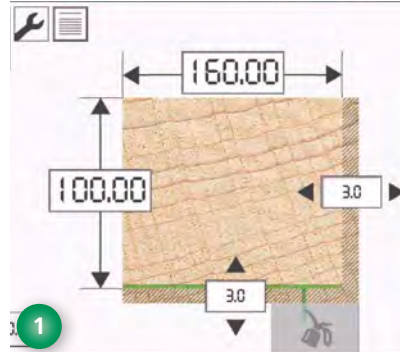
Thanks to the new tool design, the EasyLock tools do not only offer a very high surface quality, but also a distinct reduction of the noise emission.

### 5. Quick dimensional changes

Dimensions can also be changed on the Cube Plus as quickly as easily as they are set – in a matter of seconds and while the machine is running.

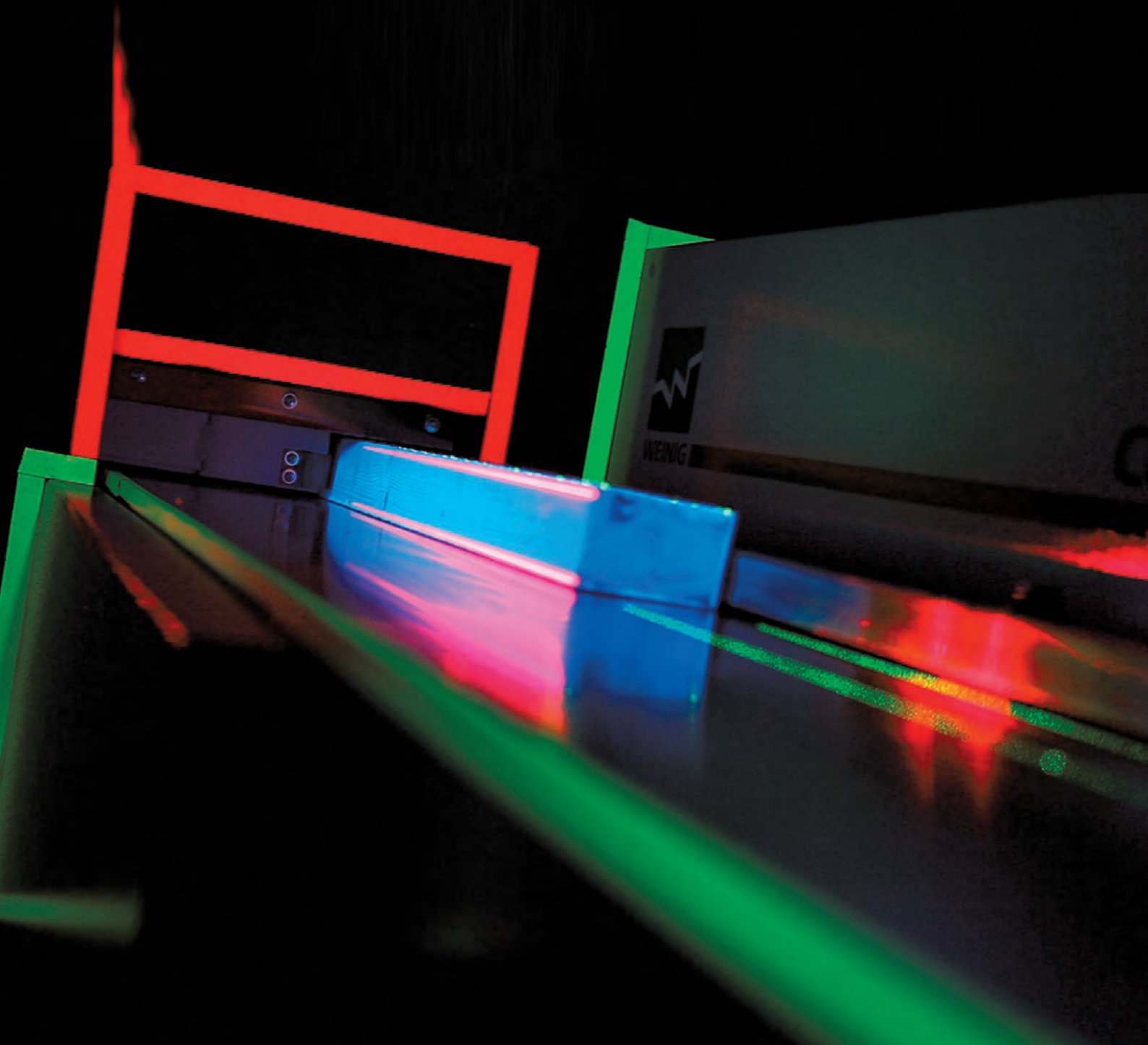
### 6. Low space requirements

The Cube Plus has a very compact design that requires minimal space – an important criterion for many small enterprises.





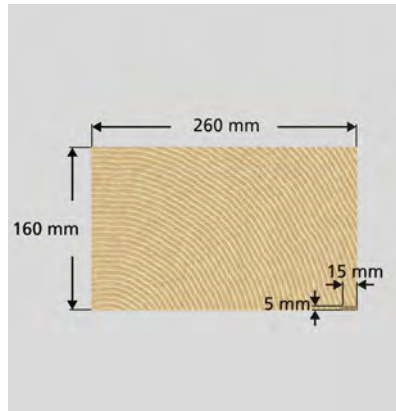
Useful options:  
More for your success!



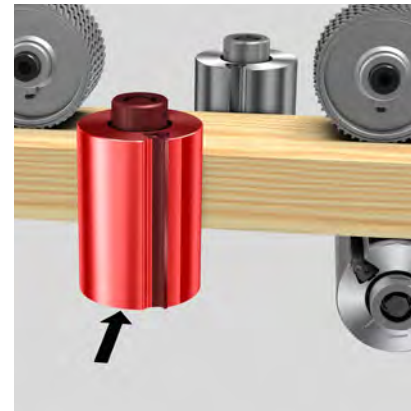




You are processing hardwood or you would like to realize large chip removal without compromising? By increasing the total connected load to 28 kW you are always on the safe side with your Cube Plus.



The Cube Plus allows you to plane an enormous range of dimensions – from the small strip to the large beam. Even processing narrow and thin workpieces are no problem at all for the Cube Plus.



The mobile spindle makes your work easier, when working with different widths of raw material. This multi-tasking unit automatically measures the dimension and adjusts itself to the relevant workpiece width.



The spiral cutterheads are equipped with wear-resistant carbide tips. These cutterheads are perfectly suited for preplaning or for processing hardwood.



The automatic stacker adds another dimension to the Cube Plus: it allows one-man operation, as the finished workpieces are stacked on top of each other at the machine outfeed.



Unique technology calls for unique design. Make the machine "your" Cube Plus by giving it a customized design. Like nothing you have ever seen before in a workshop!

# Standard models and options

**The full package – the WEINIG Cube Plus offers these unique benefits:**

- Simple, intuitive operating via 10" touchscreen without training
- Workpiece assessment before processing with MoulderPreView
- Fully automatic spindle adjustment by pushing a button
- Reduction of noise emission thanks to new tool design
- Rapid dimensional changes while the spindles are running
- 10 times faster than with a jointer and planer
- Low space requirement thanks to compact, solid design
- Simple, precise knife change system (WEINIG EasyLock) without dismounting the cutterhead
- Reduction of tear-out when preplaning thanks to spiral cutterheads
- Radial fine adjustment of straightening spindle from the front side
- One-man operation using the automatic stacker
- Efficient processing of different workpiece widths thanks to mobile spindle

**Technical data:**

Working height min./max.	8/160 mm
Working width min./max.	20/260 mm
5 mm working height	○
15 mm working width	○
6,000 rpm	●
Cube Plus Software	●
WEINIG EasyLock tools	●
Spiral cutterheads	○
Mobile spindle	○
Frequency-controlled feed speed	6 - 12 m/min
Total connected load 18 kW	●
Total connected load 28 kW	○

Subject to technical alterations. The statements and pictures provided in this brochure also include optional equipment that is not included in standard delivery. Some protective covers were removed for photographing.

● Standard    ○ Option



# THINK WEINIG

## SOLID WOOD

## PANEL PROCESSING

### The WEINIG Group: Machines and systems for solid wood and panel processing

Innovative state-of-the-art technology, comprehensive services and system solutions through to turnkey production lines: the WEINIG Group is your partner for profitable processing of solid wood and panels. WEINIG quality and profitability give small businesses and industrial operations a decisive edge in the global competition.

### WEINIG OFFERS MORE



**WEINIG**

Planing, profiling, tools,  
sharpening

Cutting, scanning, opti-  
mization, gluing

Windows, doors,  
CNC technology

Finger jointing,  
jointing technology, end  
profiling



**HOLZHER**

Edge banding

CNC processing

Vertical and  
horizontal  
cutting solutions

Automatic  
panel handling

## **MICHAEL WEINIG AG**

### **Product Unit Profiling**

Weinigstraße 2/4 · 97941 Tauberbischofsheim · Germany  
Phone +49 9341 86-0 · Fax +49 9341 7080  
info-profiling@weinig.com · www.weinig.com

